

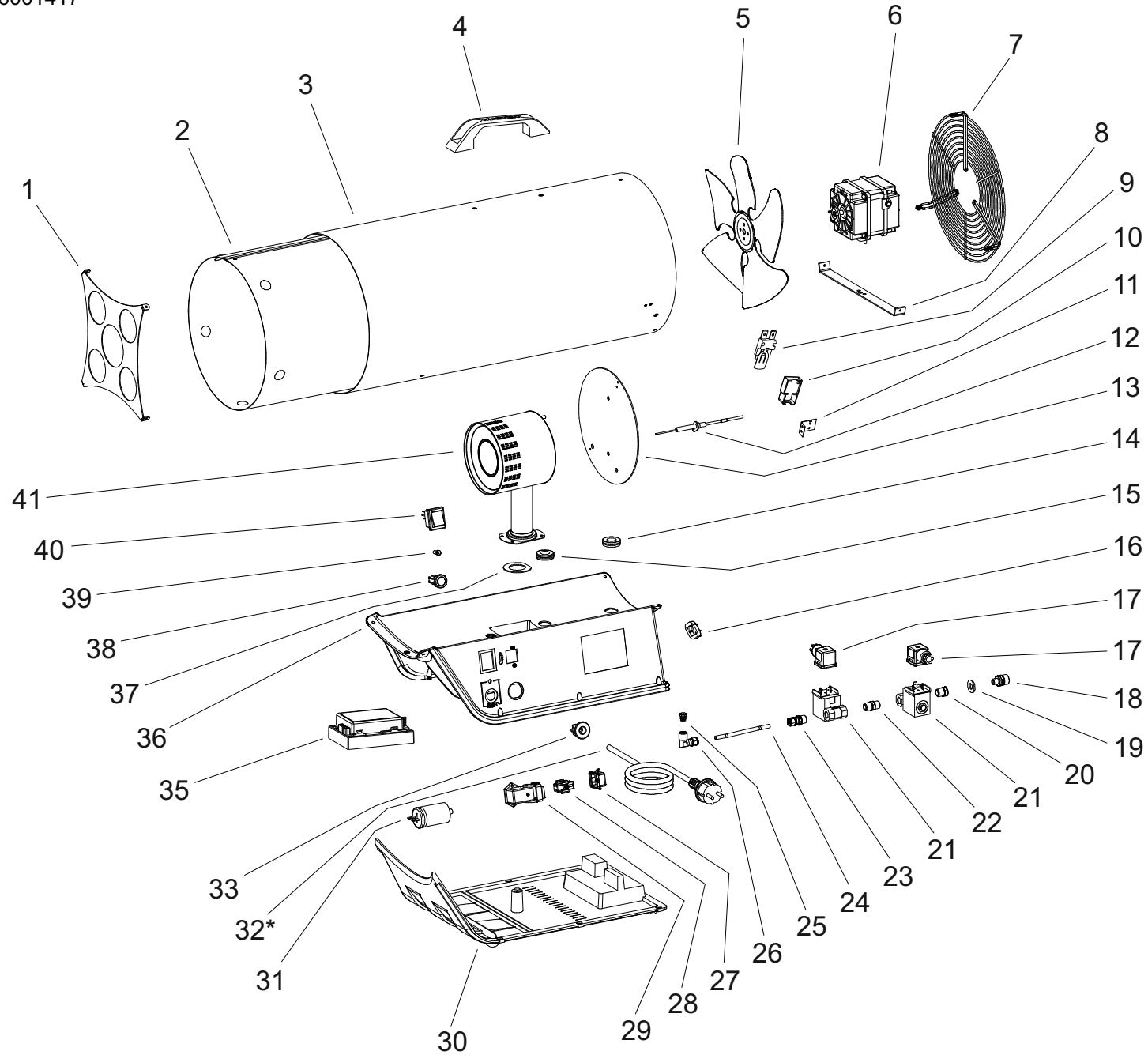
MODEL BLP 53ET

UNIT 1

ILLUSTRATED PARTS BREAKDOWN

Rev.A - Nov. 2016

From Serial Number : 03036001417



32-A *

POWER CORD SWISS
(type J)

MODEL BLP 53ET

UNIT 2

PARTS LIST

Pos.	Code N°	Description	Rev.A - Nov. 2016
1	4100.814	OUTLET GRID	
2	4162.731	COMBUSTION CHAMBER	
3	4162.728	COVER	
4	4162.934	PLASTIC HANDLE	
5	4160.691	FAN	
6	4160.046	ELECTRIC MOTOR	
7	4160.739	INLET GRID	
8	4162.733	ELECTRIC MOTOR BRACKET	
9	4162.910	AIR PROBE	
10	4162.909	COVER AIR PROBE	
11	4106.047	AIR PROBE BRACKET	
12	4160.237	IGNITION ELECTRICAL FOLDER	
13	4162.869	PLATE BURNER	
14	4160.646	GROMMET	
15	4160.646	GROMMET	
16	4161.854	BLOCK FOR NOZZLE	
17	4160.020	ELECTROVALVE CABLE	
18	4160.048	GAS INLET NOZZLE	
19	4160.283	WASHER	
20	4160.964	NIPPLES REDUCER	
21	4160.963	ELECTROVALVE	
22	4161.095	NIPPLES	
23	4160.962	REDUCTION NIPPLES	
24	4162.724	COPPER TUBE	
25	4160.766	GAS NOZZLE	
26	4160.967	ELBOW	
27	4162.467	COMPLETE PLUG-IN	
28	4161.400	CONNEXION SOCKET	
29	4160.647	ANGULAR FIX CASE	
30	4162.853	LOWER PLASTIC BASE	
31	4106.275	CAPACITOR 3 µF	
32	4160.539	POWER CORD SCHUKO	
32-A	4160.541	POWER CORD SWISS	
33	4160.635	KEEPER WIRE	
35	4106.343	ELECTRONIC PC BOARD	
36	4162.853	HIGHER PLASTIC BASE	
37	4160.769	NECK PLATE	
38	4160.430	RESET SWITCH	
39	4106.245	LED	
40	4160.637	SWITCH	
41	4160.467	GAS BURNER	

RECOMMENDED SPARE PARTS

Pos.	Code NR	Description	Rev.A - Nov. 2016
6	4160.046	ELECTRIC MOTOR	
9	4162.910	AIR PROBE	
12	4160.237	IGNITION ELECTRICAL FOLDER	
21	4160.963	ELECTROVALVE	
35	4106.343	ELECTRONIC PC BOARD	

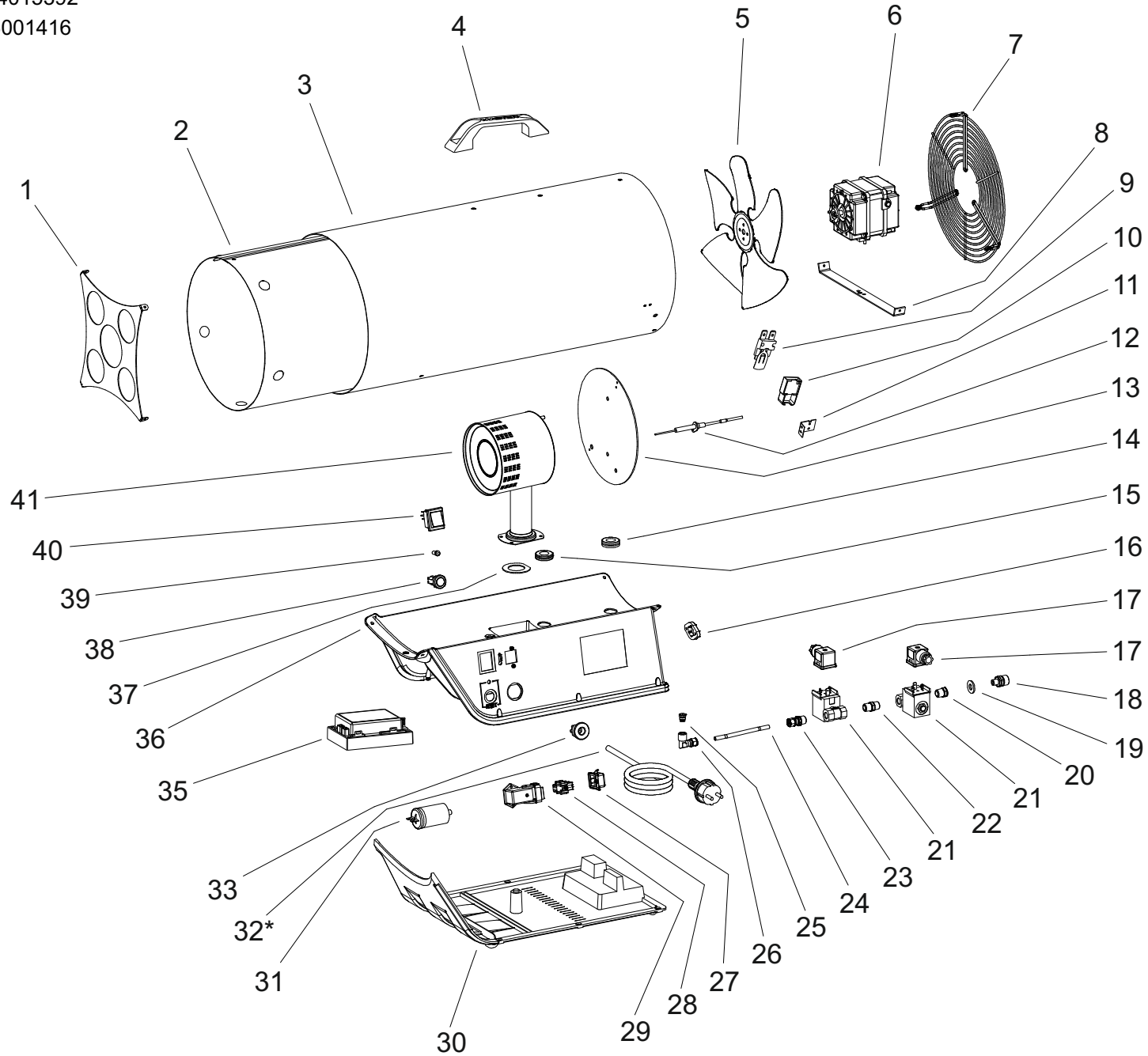
MODEL BLP 53ET

UNIT 1

ILLUSTRATED PARTS BREAKDOWN

Rev.- - July 2014

From Serial Number : 03034015392
Until Serial Number : 03036001416



32-A *

POWER CORD SWISS
(type J)

MODEL BLP 53ET

UNIT 2

PARTS LIST

Pos.	Code N°	Description	Rev. - - July 2014
1	4100.814	OUTLET GRID	
2	4162.731	COMBUSTION CHAMBER	
3	4162.728	COVER	
4	4162.934	PLASTIC HANDLE	
5	4160.691	FAN	
6	4160.046	ELECTRIC MOTOR	
7	4160.739	INLET GRID	
8	4162.733	ELECTRIC MOTOR BRACKET	
9	4162.910	AIR PROBE	
10	4162.909	COVER AIR PROBE	
11	4106.047	AIR PROBE BRACKET	
12	4160.237	IGNITION ELECTRICAL FOLDER	
13	4162.869	PLATE BURNER	
14	4160.646	GROMMET	
15	4160.646	GROMMET	
16	4161.854	BLOCK FOR NOZZLE	
17	4160.020	ELECTROVALVE CABLE	
18	4160.048	GAS INLET NOZZLE	
19	4160.283	WASHER	
20	4160.964	NIPPLES REDUCER	
21	4160.963	ELECTROVALVE	
22	4161.095	NIPPLES	
23	4160.962	REDUCTION NIPPLES	
24	4162.724	COPPER TUBE	
25	4160.766	GAS NOZZLE	
26	4160.967	ELBOW	
27	4162.467	COMPLETE PLUG-IN	
28	4161.400	CONNEXION SOCKET	
29	4160.647	ANGULAR FIX CASE	
30	4162.853	LOWER PLASTIC BASE	
31	4106.275	CAPACITOR 3 µF	
32	4160.539	POWER CORD SCHUKO	
32-A	4160.541	POWER CORD SWISS	
33	4160.635	KEEPER WIRE	
35	4106.246	ELECTRONIC PC BOARD	
36	4162.854	HIGHER PLASTIC BASE	
37	4160.769	NECK PLATE	
38	4160.430	RESET SWITCH	
39	4106.245	LED	
40	4160.637	SWITCH	
41	4160.467	GAS BURNER	

RECOMMENDED SPARE PARTS

Pos.	Code NR	Description	Rev. - - July 2014
6	4160.046	ELECTRIC MOTOR	
9	4162.910	AIR PROBE	
12	4160.237	IGNITION ELECTRICAL FOLDER	
21	4160.963	ELECTROVALVE	
35	4106.246	ELECTRONIC PC BOARD	

ESP00327