

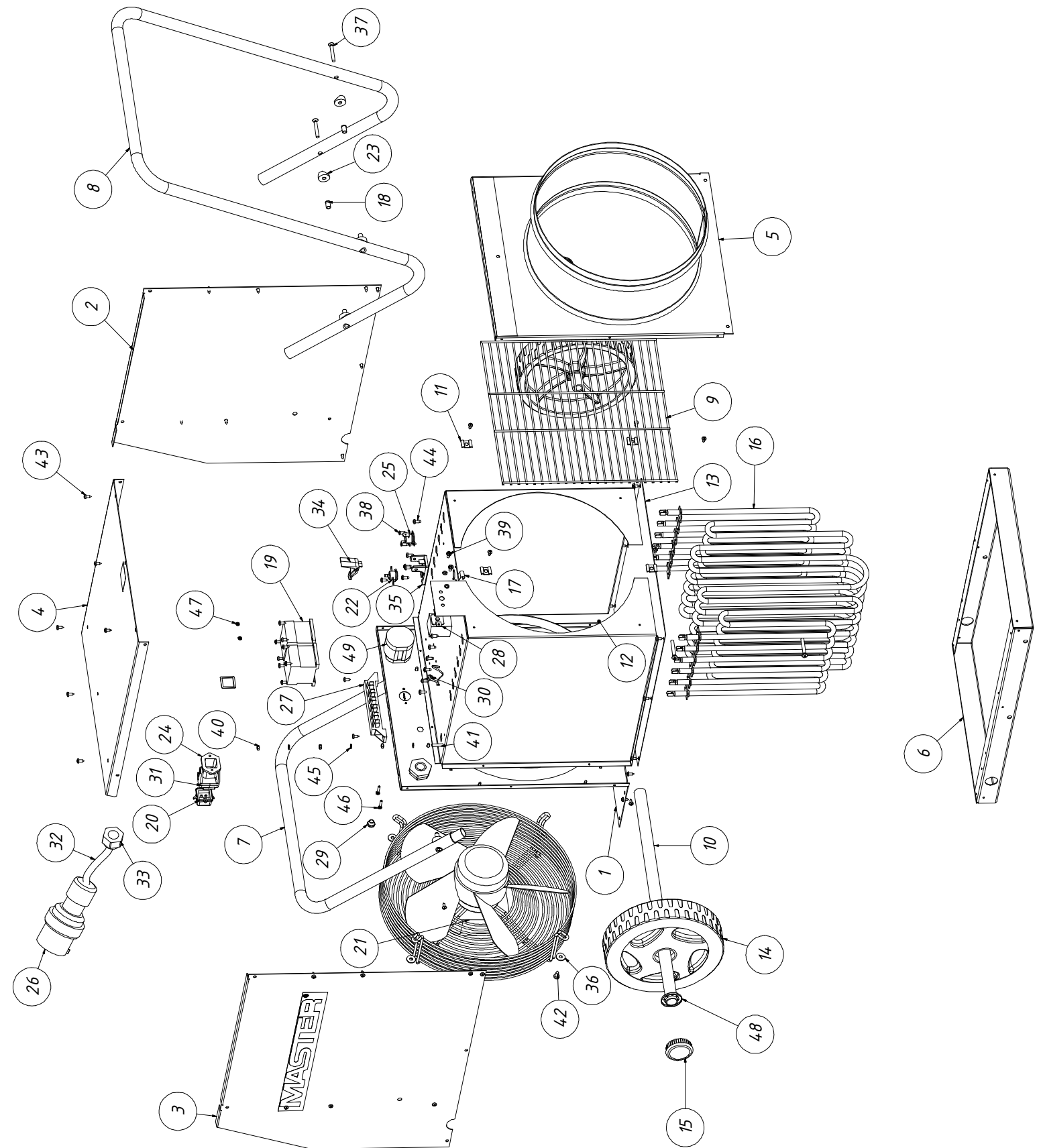
# B 18 EPR MODEL 2013

UNIT 1

ILLUSTRATED PARTS BREAKDOWN

From Serial Number: 44C33000101

Edizione 2013  
Rev. A



Pos.	Code NR	Description
1	4511.757	BACK COVER
2	4511.755	LEFT SIDE COVER
3	4511.754	RIGHT SIDE COVER
4	4511.756	TOP COVER
5	4511.759	FRONT COVER
6	4511.203	DOWN STRAIGHT COWER
7	4511.208	BACK PIPE HANDLE
8	4511.209	FRONT PIPE HANDLE
9	4511.215	GRILL
10	4511.766	WHEEL AXLE
11	4510.140	WASHER FIXING
12	4511.205	HEAT COVER
13	4511.206	DOWN HEAT COVER
14	4111.916	WHEEL 200
15	4111.480	WHEEL PLUG (42x10)
16	4510.372	HEATING ELEMENT 3000W/230V
17	4510.872	FITTING THE CAPILLARY TUBE FI 6
18	4510.844	SCREW M5
19	4510.454	CONTACTOR 3P 400V~ 4KW 1NO
20	4162.467	CAP FOR THERMOSTAT SOCKET
21	4510.319	AXIAL FAN MOTOR 70/145W 230V
22	4510.435	THERMAL CUT-OUT WITH MANUAL RESET
23	4513.633	SADDLE WASHER 19
24	4514.611	SOCKET CASE
25	4510.404	OVERHEAT SENSOR 16A/250V 60oC/NO
26	4510.447	PLUG 32A/400V 3P+N+E
27	4510.414	SCREW TEWRMINAL BLOCK
28	4514.422	CAPILLARY THERMOSTAT 16A/250V 27,5oc – 87,7oC
29	4510.647	CABLE BEND
30	4510.608	BELT 6/3 110
31	4514.406	FEMALE INSERT 3P+PE
32	4510.445	POWER CORD
33	4511.620	GLAND DP21 H
34	4510.612	RESET LEVER
35	4510.611	BASE FOR RESET LEVER
36	4510.839	PLAIN WASHER
37	4510.845	KNOB HEAD SCREW M5X35
38	4510.841	SCREW ST3,9X9,5
39	4510.852	SCREW M4X6
40	4510.808	HEXAGON NUT M4
41	4510.804	SCREW M4X20
42	4510.821	TAPPING SCREW ST4.8X13
43	4510.847	PAN HEAD TAPPING SCREW ST3,5X9,5
44	4510.802	TAPPING SCREW ST3.9X9.5
45	4510.810	SPRING LOCK WASHER
46	4513.802	HEXAGON HEAD BOLT M3x16
47	4513.807	HEXAGON NUT - M3
48	4111.072	WHEEL HOLDER
49	4510.429	CAM SWITCH