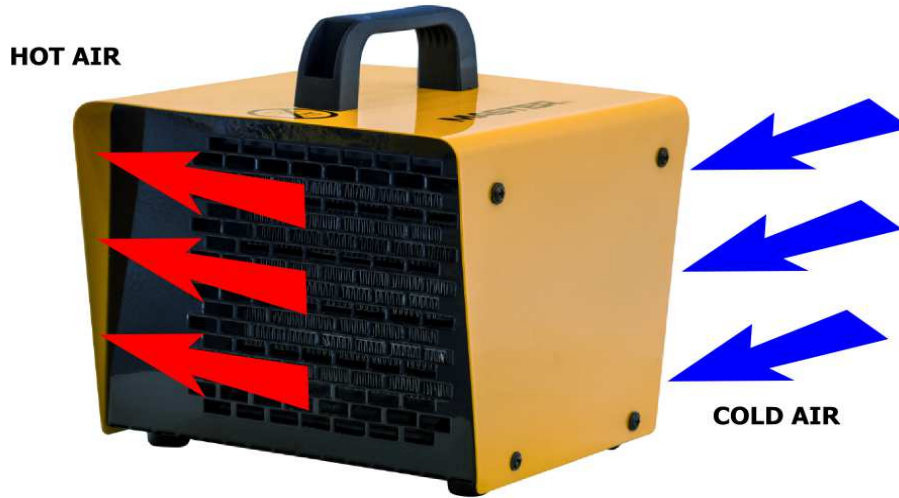


ELECTRIC AIR HEATER

B 3 PTC



FUNCTIONING PRINCIPLES



The device works on the principle of forced convection. The airflow is forced by fan. The cold air is sucked in at the rear of the unit. The cold air becomes heated when flow through the PTC heating element. The heated air exits the front of the heater. The device can heat a half or full power. The device is equipped with thermal protection running automatically. The device has a thermostat for adjusting temperature in the range 0°C - 40°C.

TECHNICAL DATA

Max capacity	kW	3	Power supply	V	230
	kcal/h	2580	Frequency	Hz	50
	Btu/h	10238	Max rated current	A	13
Power source	Electrical energy				
Net weight	kg	3,4			
Gross weight	kg	3,6			
Noise level	dB(A)	64			
Air displacement	m ³ /h	258			

PACKING

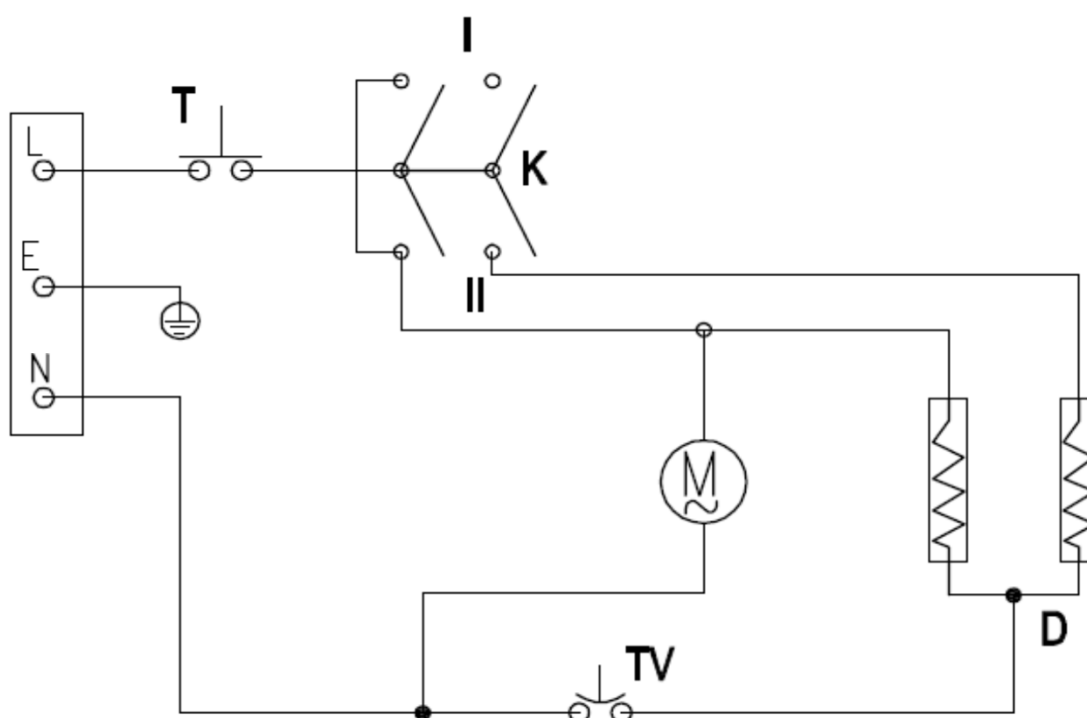
Package dimensions	mm	250 x 250 x 262
Device dimensions	mm	244 x 240 x 250
Pieces per Euro-pallet	psc	84
Pallet dimensions	mm	800 x 1200 x 2100

COMPONENTS

Motor	Asynchronous, monophasé
PTC heating element	2 x 1500W
Thermostat	Bimetallic, 0°C - 40°C
Overheat thermostat	Bimetallic, 55°C

ACCESSORIES

WIRING DIAGRAM



T	THERMOSTAT
M	MOTOR
D	HEATING ELEMENT PTC
K	SWITCH
TV	OVERHEAT THERMOSTAT