

| Pos. | Code NR  | Description                     |
|------|----------|---------------------------------|
| 1    | 4032.654 | UPPER BODY                      |
| 2    | 4032.548 | UPPER BODY MOBILE               |
| 3    | 4032.534 | CHIMNEY                         |
| 4    | 4032.557 | INLET GRILLE                    |
| 5    | 4032.594 | MOTOR 2P. 250W                  |
| 6    | 4032.593 | FAN                             |
| 7    | 4032.554 | AIR FLAP                        |
| 8    | 4111.056 | PROTECTION CABLE                |
| 9    | 4032.555 | MOTOR FLANGE SUPPORT            |
| 10   | 4032.519 | MOTOR FLANGE                    |
| 11   | 4111.241 | ELASTIC PLATE                   |
| 12   | 4032.568 | HANDLE FRAME                    |
| 13   | 4032.475 | FUEL LEVEL PROBE                |
| 14   | 4032.537 | TANK PLUG SEAL                  |
| 15   | 4160.646 | PROTECTION CABLE                |
| 16   | 4111.057 | PLUG                            |
| 17   | 4100.632 | DRAIN PLUG                      |
| 18   | 4032.564 | FOOT FRAME                      |
| 19   | 4032.094 | WHEEL Ø 250                     |
| 20   | 4111.480 | WHEEL PLUG                      |
| 21   | 4111.072 | WHEEL HOLDER Ø 20               |
| 22   | 4032.566 | AXLE                            |
| 23   | 4032.543 | FUEL TANK                       |
| 24   | 4032.558 | ELECTR. COMPONENTS DRAWER PANEL |
| 25   | 4032.536 | POWER CORD HOOK                 |
| 26   | 4032.560 | SIDE PANEL                      |
| 27   | 4032.562 | BASE                            |
| 28   | 4111.625 | LOWER BODY                      |
| 29   | 4032.655 | COMBUSTION CHAMBER              |
| 30   | 4032.544 | OUTLET CONE                     |
| 32   | 4032.488 | CONN. STRAIGHT M10              |
| 33   | 4032.092 | PIPE CONNECTION M10             |
| 34   | 4032.597 | FUEL PIPE PUMP-TANK             |
| 35   | 4032.595 | FUEL PIPE TANK-FILTER           |
| 36   | 4031.803 | CONNECTION 90° 3/8"             |
| 37   | 4111.045 | FILTER WITH CARTRIDGE 3/8"      |
| 38   | 4111.116 | OR KIT FILTER                   |
| 39   | 4031.015 | FILTER CARTRIDGE                |
| 40   | 4032.437 | FILTER SUPPORT                  |
| 41   | 4031.802 | DOUBLE SCREW                    |
| 42   | 4031.800 | CONN. STRAIGHT 3/8" MX5         |
| 43   | 4111.273 | CONNECTION 90° 1/8"             |
| 44   | 4032.596 | FUEL PIPE FILTER-PUMP           |
| 50   | 4032.446 | ELECTR. COMPONENTS DRAWER       |
| 51   | 4117.058 | PILOT LAMP 230V                 |
| 52   | 4111.040 | FUSE (6,3X32) 10 A              |
| 53   | 4111.038 | CABLE FASTENER                  |

| Pos. | Code NR  | Description                  |
|------|----------|------------------------------|
| 54   | 4111.153 | POWER CORD 3MT               |
| 55   | 4111.118 | THERMOSTAT PLUG              |
| 56   | 4111.119 | PLATE PLUG                   |
| 57   | 4160.637 | SWITCH 16A                   |
| 58   | 4110.968 | CONTROL BOX SATRONIC         |
| 59   | 4032.448 | ELECTR. COMPONENTS BASE      |
| 60   | 4032.499 | CONTROL BOX SUPPORT          |
| 61   | 4110.969 | CONTROL BOX BASE             |
| 62   | 4110.967 | PG PLATE                     |
| 63   | 4110.155 | EDGE LINER                   |
| 64   | 4111.033 | TERMINAL BOARD               |
| 65   | 4160.639 | POP RIVET WITH TERMIN. 4 WAY |
| 66   | 4032.450 | PLASTIC PIN                  |
| 67   | 4111.032 | RELAY FINDER                 |
| 68   | 4111.030 | TRANSFORMER SUPPORT          |
| 69   | 4031.035 | TRANSFORMER                  |
| 70   | 4110.971 | H.T. CABLE                   |
| 75   | 4111.081 | COUPLING SIMEL               |
| 76   | 4032.093 | PUMP DANFOSS BFP 21-L3L      |
| 77   | 4161.501 | NUT FOR BICONE 1/8           |
| 78   | 4161.140 | CONNECTION 90° 1/8"          |
| 79   | 4111.049 | OIL SUPPLY PIPE              |
| 80   | 4031.160 | CONN. STRAIGHT 1/4"          |
| 81   | 4032.110 | POWER CORD SOLENOID SPOOL    |
| 82   | 4110.970 | PHOTOCELL CONN. CABLE.       |
| 83   | 4110.966 | PHOTOCELL                    |
| 84   | 4111.076 | PHOTOCELL BLOCK BRACKET      |
| 85   | 4032.406 | PHOTOCELL SUPPORT            |
| 86   | 4032.574 | BURNER FLANGE                |
| 87   | 4032.403 | NOZZLE SUPPORT               |
| 88   | 4031.020 | NOZZLE 0,65 GPH 80°          |
| 89   | 4032.454 | NUT M6                       |
| 90   | 4032.545 | AIR REGULATOIN FLAP          |
| 91   | 4032.570 | TURBO DISC                   |
| 92   | 4031.045 | FAN THERMOSTAT               |
| 93   | 4031.095 | ELECTRODE                    |
| 94   | 4032.407 | CONN. STRAIGHT MX14X6        |
| 95   | 4160.968 | CONN. STRAIGHT 1/8"          |
| 96   | 4102.535 | SOLENOID SPOOL 230V/50HZ     |
| 97   | 4031.047 | LIMIT THERMOSTAT             |

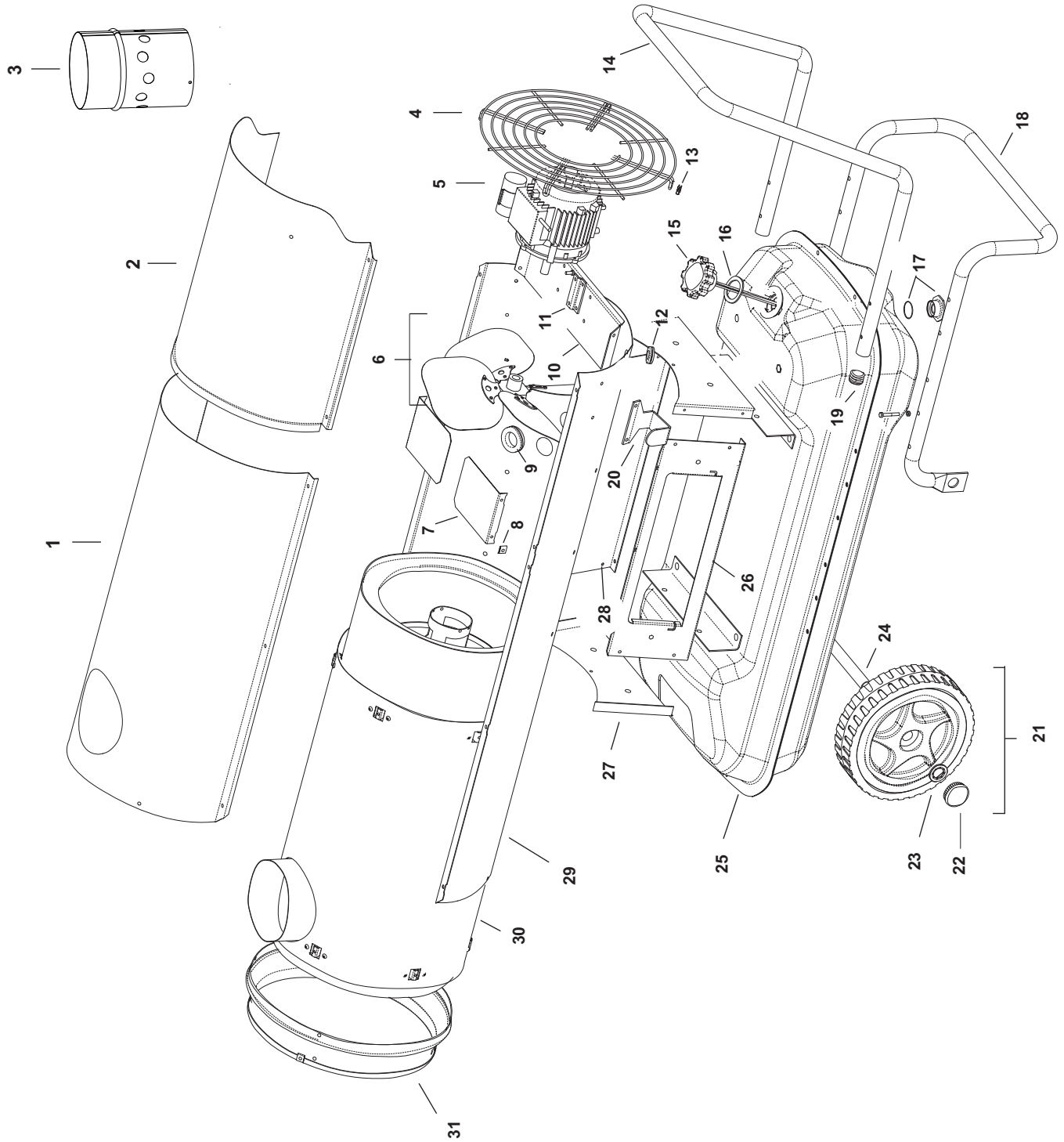
# Bv110 MODEL 2010

UNIT 1

ILLUSTRATED PARTS BREAKDOWN

From Serial Number: 30200332

Edizione 2010  
Rev. A



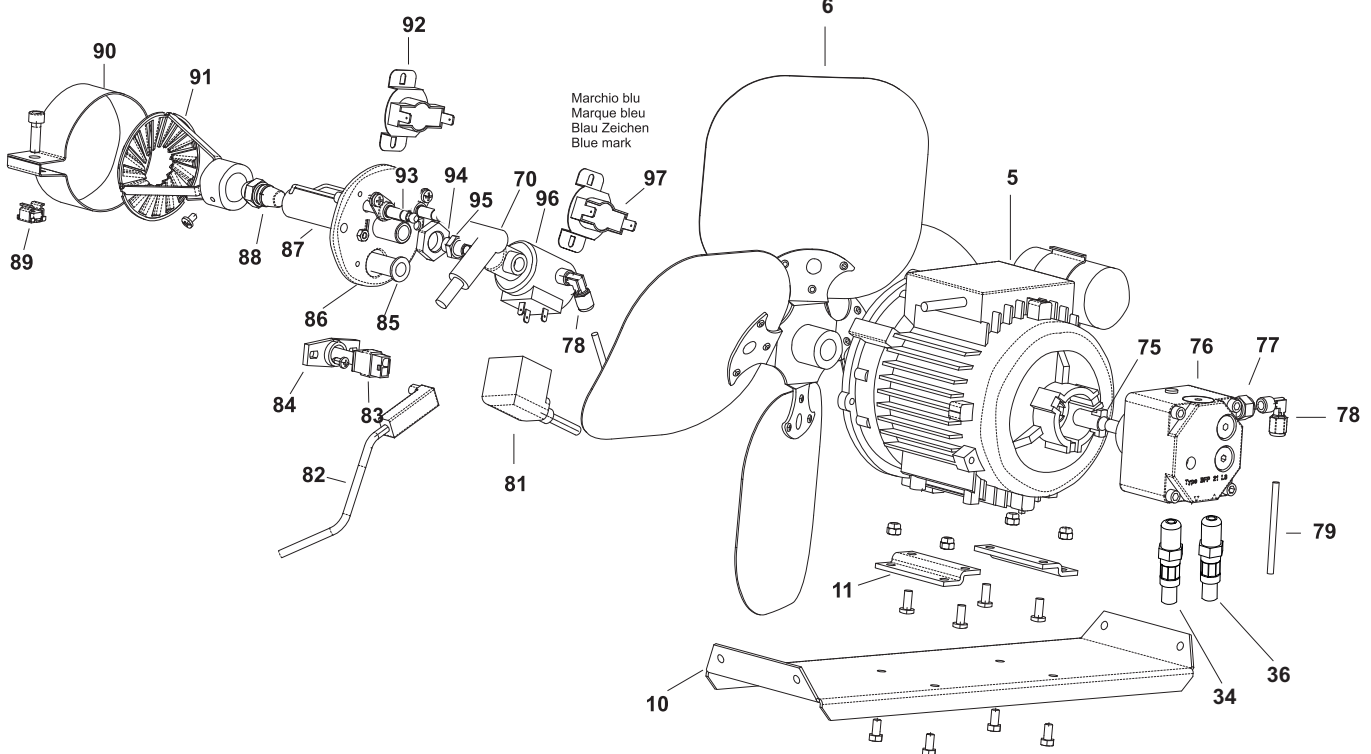
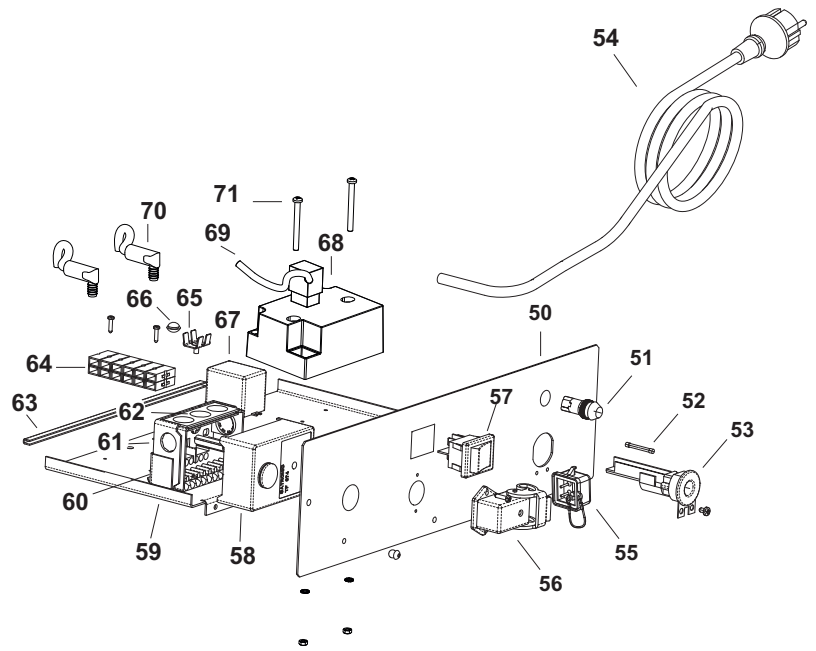
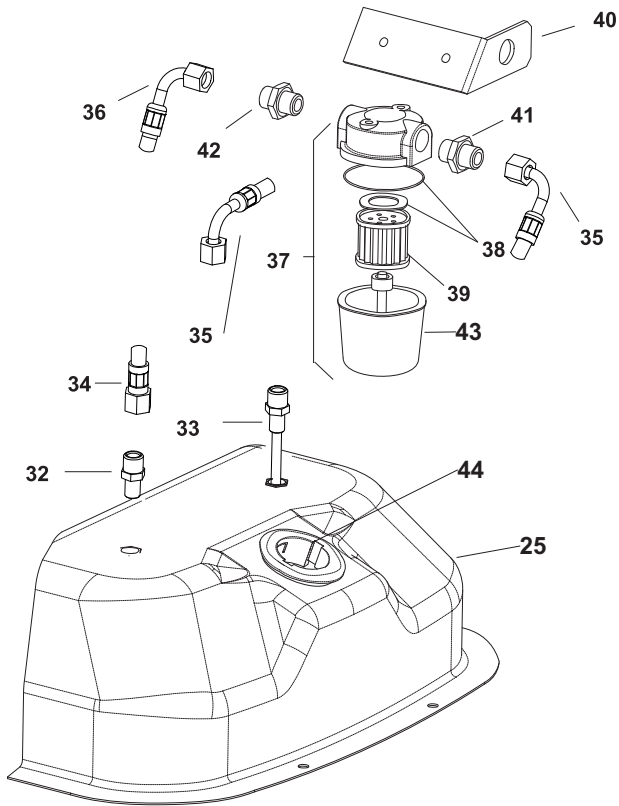
# Bv110 MODEL 2010

UNIT 2

ILLUSTRATED PARTS BREAKDOWN

From Serial Number: 30200332

Edizione 2010  
Rev. A



| Pos. | Code NR  | Description                     |
|------|----------|---------------------------------|
| 1    | 4032.654 | UPPER BODY                      |
| 2    | 4032.548 | UPPER BODY MOBILE               |
| 3    | 4032.534 | CHIMNEY                         |
| 4    | 4032.557 | INLET GRILLE                    |
| 5    | 4032.594 | MOTOR 250W                      |
| 6    | 4032.593 | FAN                             |
| 7    | 4032.554 | AIR FLAP                        |
| 8    | 4104.170 | CLIP NUT                        |
| 9    | 4111.056 | PROTECTION CLABLE               |
| 10   | 4032.555 | MOTOR FLANGE SUPPORT            |
| 11   | 4032.519 | MOTOR FLANGE                    |
| 12   | 4160.646 | PROTECTION CLABLE               |
| 13   | 4111.241 | ELASTIC PLATE                   |
| 14   | 4032.568 | HANDLE FRAME                    |
| 15   | 4032.475 | FUEL LEVEL PROBE                |
| 16   | 4032.537 | TANK PLUG SEAL                  |
| 17   | 4100.632 | DRAIN PLUG                      |
| 18   | 4032.564 | FOOT FRAME                      |
| 19   | 4111.057 | PLUG                            |
| 20   | 4032.536 | POWER CORD HOOK                 |
| 21   | 4032.094 | WHEEL Ø 250                     |
| 22   | 4111.480 | WHEEL PLUG                      |
| 23   | 4111.072 | WHEEL HOLDER Ø 20               |
| 24   | 4032.566 | AXLE                            |
| 25   | 4032.543 | FUEL TANK                       |
| 26   | 4032.558 | ELECTR. COMPONENTS DRAWER PANEL |
| 27   | 4032.562 | BASE                            |
| 28   | 4032.560 | SIDE PANEL                      |
| 29   | 4111.625 | LOWER BODY                      |
| 30   | 4032.655 | COMBUSTION CHAMBER              |
| 31   | 4032.544 | OUTLET CONE                     |
| 32   | 4031.068 | CONN. STRAIGHT 1/4"             |
| 33   | 4031.067 | PIPE CONNECTION 1/4"            |
| 34   | 4031.062 | FUEL PIPE PUMP-TANK             |
| 35   | 4031.063 | FUEL PIPE TANK-FILTER           |
| 36   | 4031.061 | FUEL PIPE FILTER-PUMP           |
| 37   | 4031.070 | FILTER WITH CARTIDGE 3/8"       |
| 38   | 4111.116 | OR KIT FILTER                   |
| 39   | 4031.015 | FILTER CARTIDGE                 |
| 40   | 4032.437 | FILTER SUPPORT                  |
| 41   | 4031.064 | DOUBLE SCREW                    |
| 42   | 4117.049 | DOUBLE SCREW                    |
| 43   | 4031.180 | FILTER HOUSING                  |
| 44   | 4032.472 | NECK PLASTIC FILLER             |
| 50   | 4032.446 | ELECTR. COMPONENTS DRAWER       |
| 51   | 4117.058 | PILOT LAMP 230V                 |
| 52   | 4111.040 | FUSE (6,3X32) 10A               |

---

| Pos. | Code NR  | Description                  |
|------|----------|------------------------------|
| 53   | 4111.038 | CABLE FASTENER               |
| 54   | 4111.153 | POWER CORD                   |
| 55   | 4162.467 | CAP FOR THERMOSTAT SOCKET    |
| 56   | 4111.119 | THERMOSTAT SOCKET            |
| 57   | 4160.637 | SWITCH                       |
| 58   | 4110.968 | CONTROL BOX                  |
| 59   | 4032.448 | ELECTR. COMPONENTS BASE      |
| 60   | 4032.499 | CONTROL BOX SUPPORT          |
| 61   | 4110.969 | CONTROL BOX BASE             |
| 62   | 4110.967 | SUPPORT PG PHOTOCELL         |
| 63   | 4110.155 | EDGE LINER                   |
| 64   | 4111.033 | TERMINAL BOARD               |
| 65   | 4160.639 | POP RIVET WITH TERMIN. 4 WAY |
| 66   | 4032.450 | PLASTIC PIN                  |
| 67   | 4111.032 | RELAY FINDER                 |
| 68   | 4031.541 | TRANSFORMER                  |
| 69   | 4110.491 | TRANSFORMER POWER CORD       |
| 70   | 4110.490 | H.T. CABLE                   |
| 71   | 4160.421 | M4 SCREW                     |
| 75   | 4111.081 | COUPLING SIMEL               |
| 76   | 4032.093 | PUMP DANFOSS                 |
| 77   | 4161.501 | NUT FOR BICONE 1/8"          |
| 78   | 4161.140 | CONNECTION 90° 1/8"          |
| 79   | 4111.049 | OIL SUPPLY PIPE              |
| 81   | 4032.110 | POWER CORD SOLENOID SPOOL    |
| 82   | 4110.970 | PHOTOCELL CONN. CABLE        |
| 83   | 4110.966 | PHOTOCELL                    |
| 84   | 4111.076 | PHOTOCELL BLOCK BRACKET      |
| 85   | 4032.406 | PHOTOCELL SUPPORT            |
| 86   | 4032.574 | BURNER FLANGE                |
| 87   | 4032.403 | NOZZLE SUPPORT               |
| 88   | 4031.020 | NOZZLE 1,00 GHP 80°          |
| 89   | 4032.454 | M6 NUT                       |
| 90   | 4032.545 | AIR REGULATION FLAP          |
| 91   | 4032.570 | TURBO DISC                   |
| 92   | 4031.045 | FAN THERMOSTAT               |
| 93   | 4031.095 | ELECTRODE                    |
| 94   | 4032.407 | M14 NUT                      |
| 95   | 4160.968 | CONN. STRAIGHT 1/8"          |
| 96   | 4102.535 | SOLENOID SPOOL 230V/50Hz     |
| 97   | 4031.047 | LIMIT THERMOSTAT             |



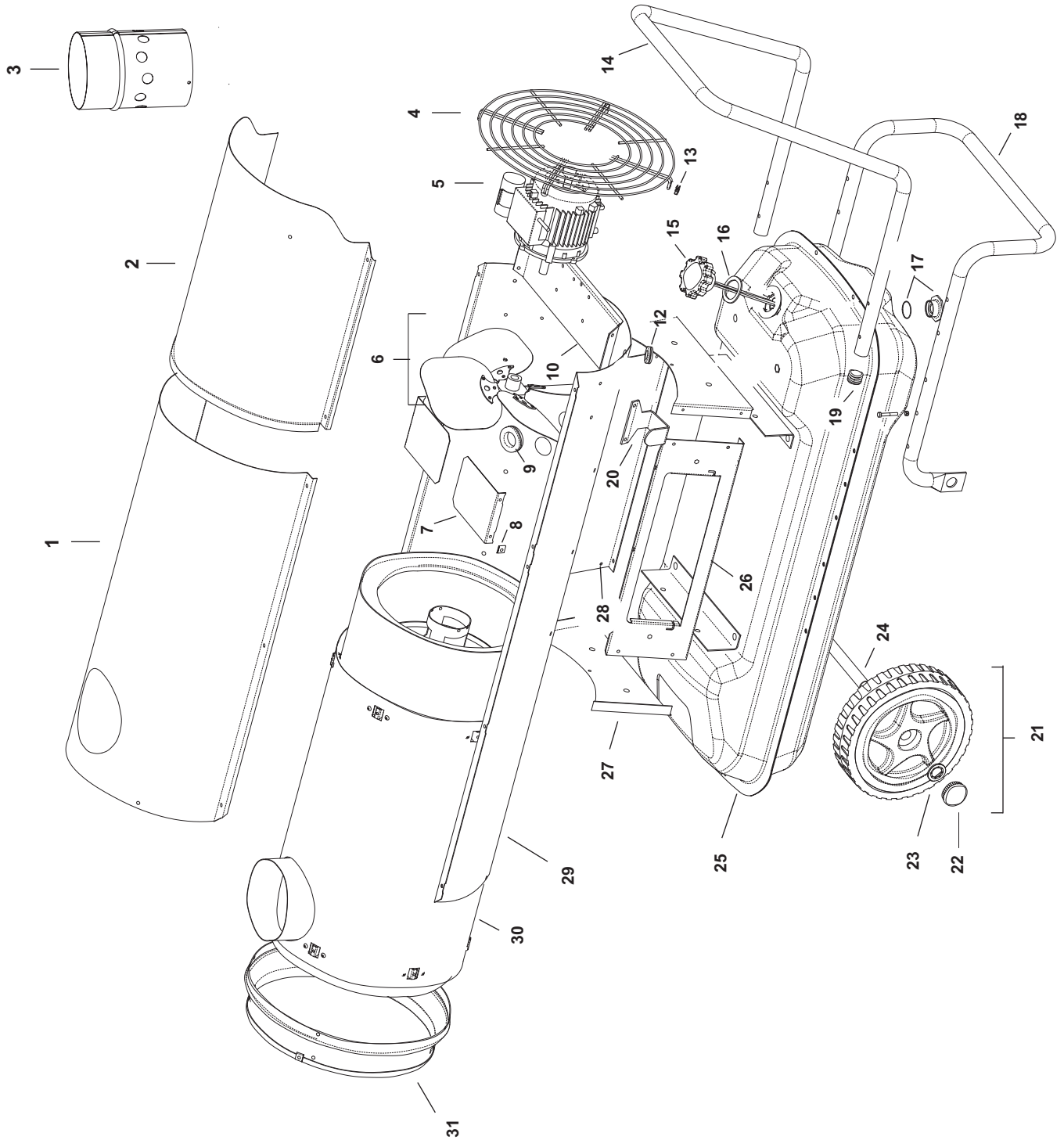
# BV 110 2011 MODEL

UNIT 1

ILLUSTRATED PARTS BREAKDOWN

From Serial Number: 31201105

Edizione 2011  
Rev. A



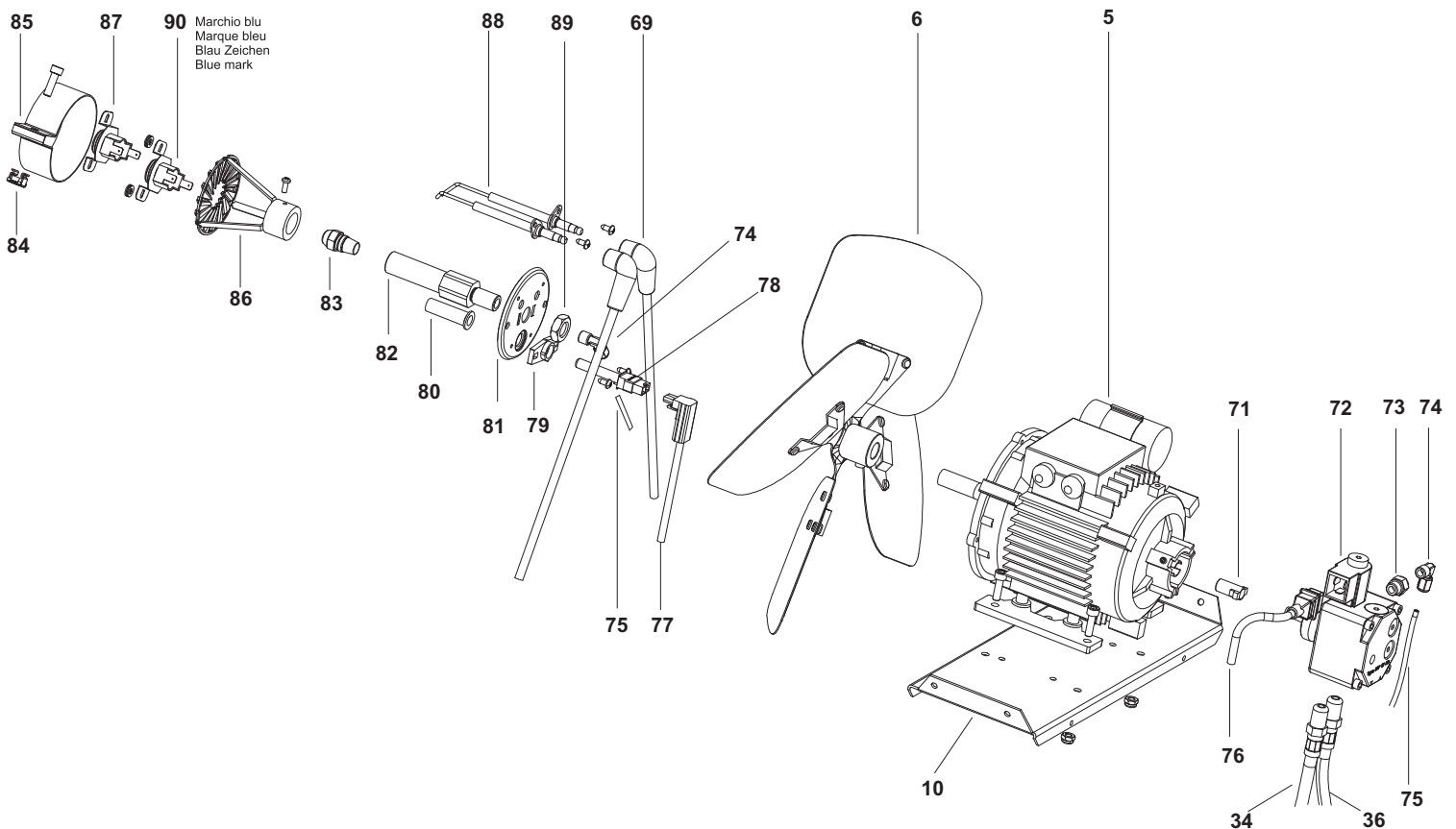
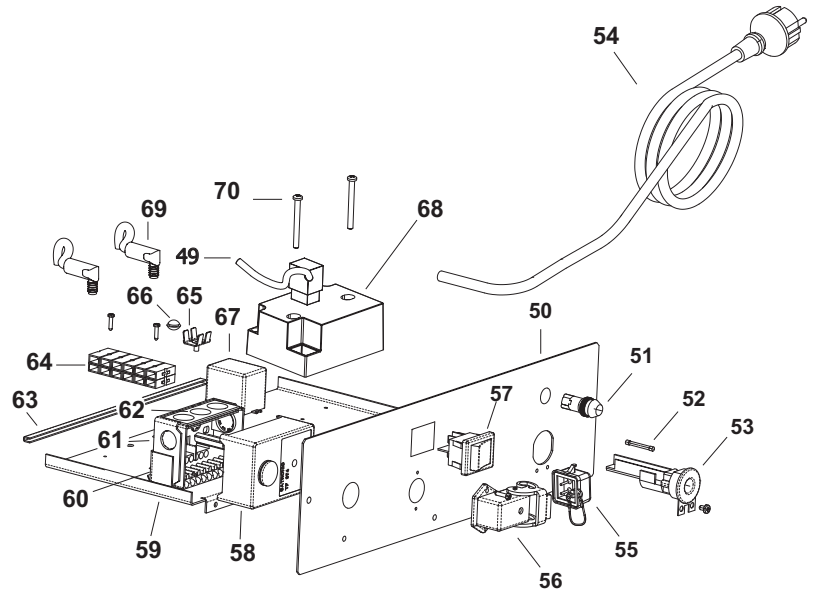
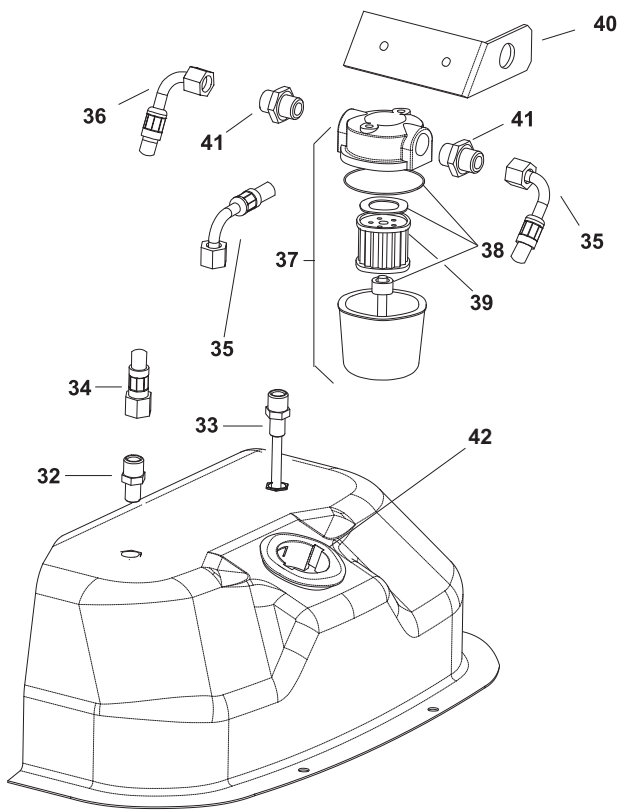
# BV 110 2011 MODEL

UNIT 2

ILLUSTRATED PARTS BREAKDOWN

From Serial Number: 31201105

Edizione 2011  
Rev. A



| Pos. | Code NR  | Description                     |
|------|----------|---------------------------------|
| 1    | 4032.654 | UPPER BODY                      |
| 2    | 4032.548 | UPPER BODY MOBILE               |
| 3    | 4032.534 | CHIMNEY                         |
| 4    | 4032.557 | INLET GRILLE                    |
| 5    | 4032.594 | MOTOR 2P 230V/50 450 W          |
| 6    | 4032.593 | FAN                             |
| 7    | 4032.554 | AIR FLAP                        |
| 8    | 4104.170 | CLIP NUT                        |
| 9    | 4111.056 | PROTECTION CLABLE               |
| 10   | 4032.555 | MOTOR FLANGE                    |
| 12   | 4160.646 | PROTECTION CLABLE               |
| 13   | 4111.241 | ELASTIC PLATE                   |
| 14   | 4032.568 | HANDLE FRAME                    |
| 15   | 4032.475 | FUEL LEVEL PROBE                |
| 16   | 4032.537 | TANK PLUG SEAL                  |
| 17   | 4100.632 | DRAIN PLUG                      |
| 18   | 4032.564 | FOOT FRAME                      |
| 19   | 4111.057 | PLUG                            |
| 20   | 4032.536 | POWER CORD HOOK                 |
| 21   | 4032.094 | WHEEL Ø 250                     |
| 22   | 4111.480 | WHEEL PLUG                      |
| 23   | 4111.072 | WHEEL HOLDER Ø 20               |
| 24   | 4032.566 | AXLE                            |
| 25   | 4032.543 | FUEL TANK                       |
| 26   | 4032.558 | ELECTR. COMPONENTS DRAWER PANEL |
| 27   | 4033.095 | BASE                            |
| 28   | 4032.560 | SIDE PANEL                      |
| 29   | 4111.625 | LOWER BODY                      |
| 30   | 4032.655 | COMBUSTION CHAMBER              |
| 31   | 4032.544 | OUTLET CONE                     |
| 32   | 4031.068 | CONN. STRAIGHT 1/4"             |
| 33   | 4031.067 | PIPE CONNECTION 1/4"            |
| 34   | 4031.062 | FUEL PIPE PUMP-TANK             |
| 35   | 4031.063 | FUEL PIPE TANK-FILTER           |
| 36   | 4031.061 | FUEL PIPE FILTER-PUMP           |
| 37   | 4031.070 | FILTER CARTIDGE 3/8"            |
| 38   | 4111.116 | OR KIT FILTER                   |
| 39   | 4031.015 | FILTER CARTIDGE                 |
| 40   | 4032.437 | FILTER SUPPORT                  |
| 41   | 4031.064 | DOUBLE SCREW                    |
| 42   | 4032.472 | NECK PLASTIC FILLER             |
| 49   | 4110.491 | TRANSFORMER POWER CORD          |
| 50   | 4032.446 | ELECTR. COMPONENTS DRAWER       |

---

| Pos. | Code NR  | Description               |
|------|----------|---------------------------|
| 51   | 4117.058 | PILOT LAMP 230V           |
| 52   | 4111.040 | FUSE (6,3X32) 10A         |
| 53   | 4111.038 | CABLE FASTENER            |
| 54   | 4111.153 | POWER CORD                |
| 55   | 4162.467 | CAP FOR THERMOSTAT SOCKET |
| 56   | 4111.119 | THERMOSTAT SOCKET         |
| 57   | 4160.637 | SWITCH                    |
| 58   | 4110.968 | CONTROL BOX               |
| 59   | 4032.448 | ELECTR. COMPONENTS BASE   |
| 60   | 4032.499 | CONTROL BOX SUPPORT       |
| 61   | 4110.969 | CONTROL BOX BASE          |
| 62   | 4110.967 | SUPPORT PG PHOTOCELL      |
| 63   | 4110.155 | EDGE LINER                |
| 64   | 4111.033 | TERMINAL BOARD            |
| 65   | 4160.639 | POP RIVET                 |
| 66   | 4032.450 | PLASTIC PIN               |
| 67   | 4111.032 | RELAY FINDER              |
| 68   | 4031.541 | TRANSFORMER               |
| 69   | 4110.490 | H.T. CABLE                |
| 70   | 4160.421 | M4 SCREW                  |
| 71   | 4111.081 | COUPLING SIMEL            |
| 72   | 4111.042 | PUMP DANFOSS              |
| 73   | 4161.501 | CONN. STRAIGHT 1/8"       |
| 74   | 4161.140 | ELBOW 1/8"                |
| 75   | 4111.049 | OIL SUPPLY PIPE           |
| 76   | 4033.087 | PUMP POWER CORD           |
| 77   | 4110.970 | PHOTOCELL CONN. CLABE     |
| 78   | 4110.966 | PHOTOCELL                 |
| 79   | 4111.076 | PHOTOCELL BLOCK BRACKET   |
| 80   | 4032.406 | PHOTOCELL SUPPORT         |
| 81   | 4032.574 | BURNER FLANGE             |
| 82   | 4032.403 | NOZZLE SUPPORT            |
| 83   | 4031.020 | NOZZLE 1,00 GHP 80°       |
| 84   | 4032.454 | M6 NUT                    |
| 85   | 4032.545 | AIR REGULATION FLAP       |
| 86   | 4033.071 | TURBO DISC                |
| 87   | 4031.045 | FAN THERMOSTAT            |
| 88   | 4033.057 | ELECTRODE                 |
| 89   | 4032.407 | M14 NUT                   |
| 90   | 4031.047 | LIMIT THERMOSTAT          |

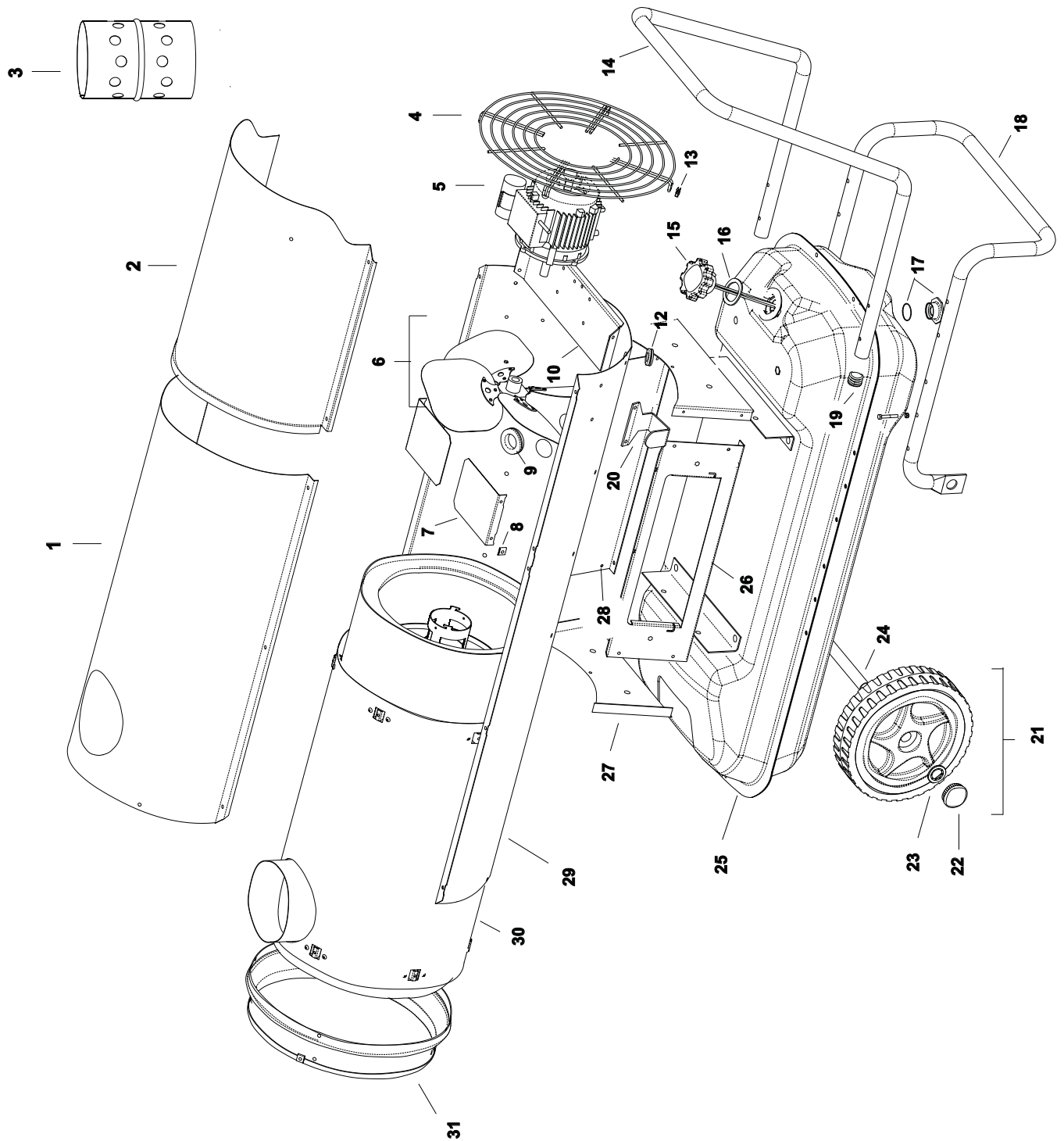
# BV 110 MODEL 2012

UNIT 1

ILLUSTRATED PARTS BREAKDOWN

From Serial Number: 32200523

Edizione 2012  
Rev. A



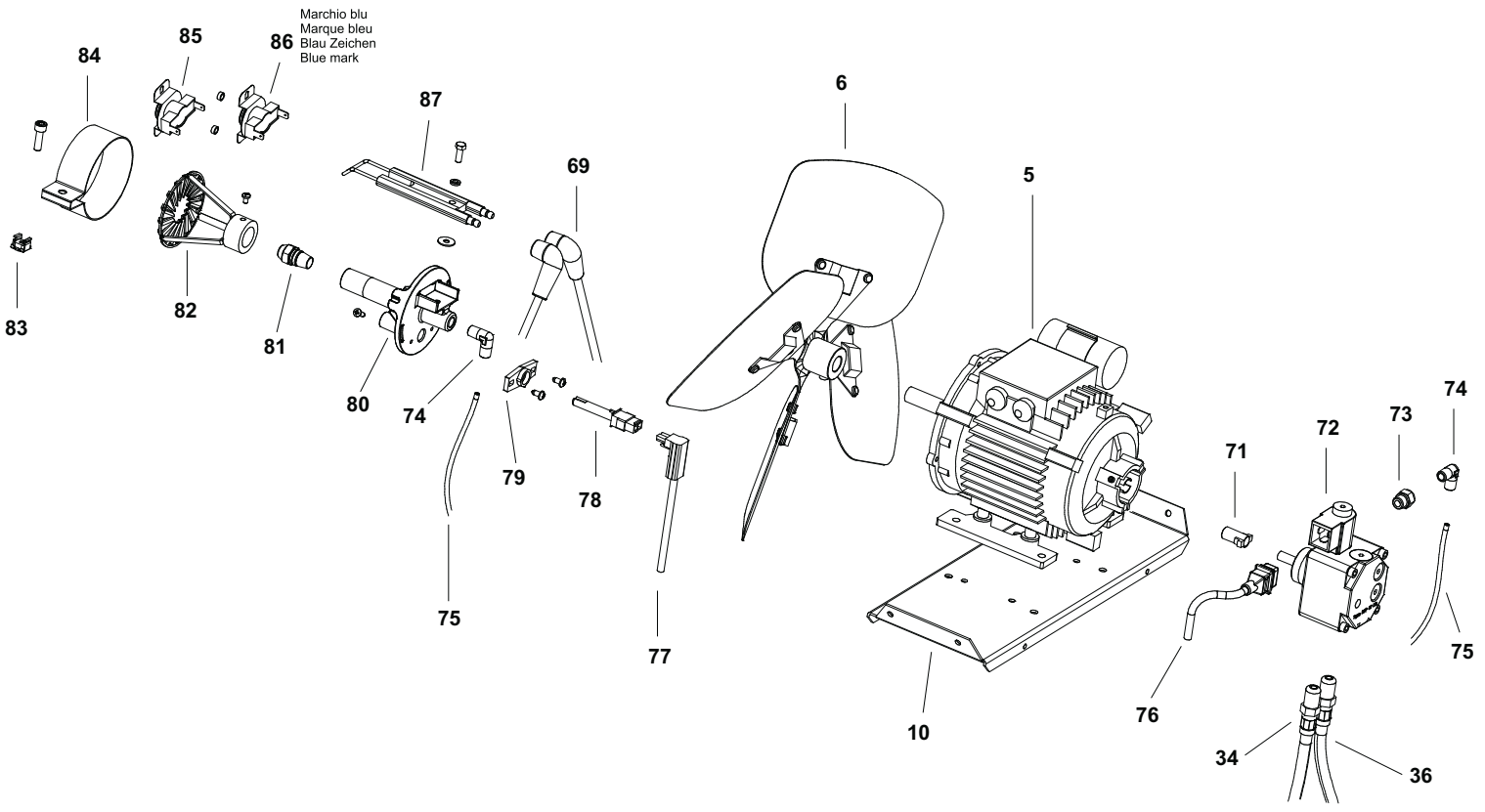
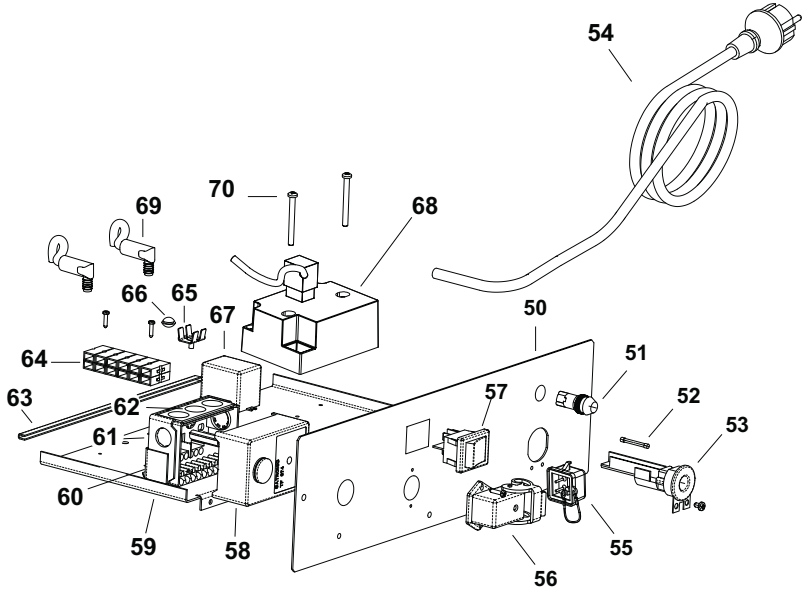
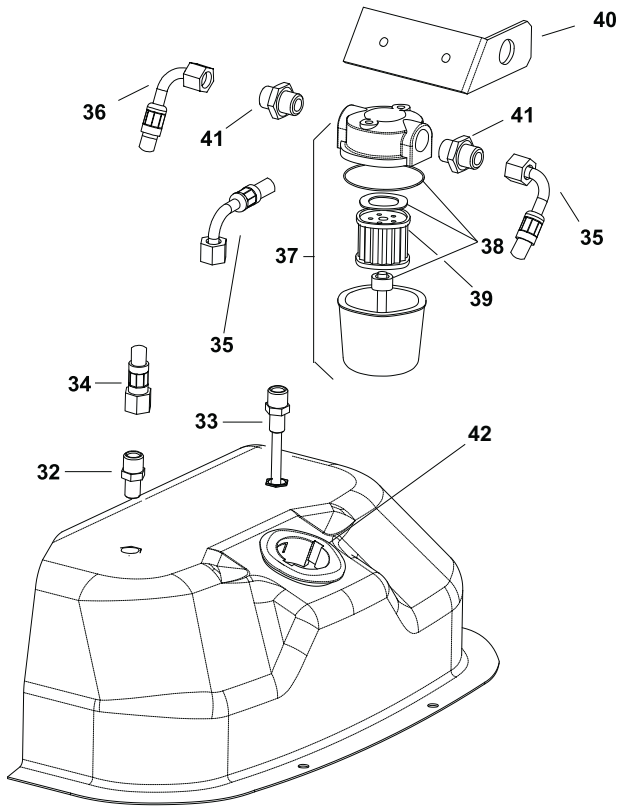
# BV 110 MODEL 2012

UNIT 2

ILLUSTRATED PARTS BREAKDOWN

From Serial Number: 32200523

Rev.A - May 2012



| <b>Pos.</b> | <b>Code NR</b> | <b>Description</b>              |
|-------------|----------------|---------------------------------|
| 1           | 4032.654       | UPPER BODY                      |
| 2           | 4032.548       | UPPER BODY MOBILE               |
| 3           | 4032.534       | CHIMNEY                         |
| 4           | 4032.557       | INLET GRILLE                    |
| 5           | 4032.594       | MOTOR 2P 230V/50 450 W          |
| 6           | 4032.593       | FAN                             |
| 7           | 4032.554       | AIR FLAP                        |
| 8           | 4104.170       | CLIP NUT                        |
| 9           | 4111.056       | PROTECTION CLABLE               |
| 10          | 4032.555       | MOTOR FLANGE                    |
| 12          | 4160.646       | PROTECTION CLABLE               |
| 13          | 4111.241       | ELASTIC PLATE                   |
| 14          | 4032.568       | HANDLE FRAME                    |
| 15          | 4032.475       | FUEL LEVEL PROBE                |
| 16          | 4032.537       | TANK PLUG SEAL                  |
| 17          | 4100.632       | DRAIN PLUG                      |
| 18          | 4032.564       | FOOT FRAME                      |
| 19          | 4111.057       | PLUG                            |
| 20          | 4032.536       | POWER CORD HOOK                 |
| 21          | 4032.094       | WHEEL Ø 250                     |
| 22          | 4111.480       | WHEEL PLUG                      |
| 23          | 4111.072       | WHEEL HOLDER Ø 20               |
| 24          | 4032.566       | AXLE                            |
| 25          | 4032.543       | FUEL TANK                       |
| 26          | 4032.558       | ELECTR. COMPONENTS DRAWER PANEL |
| 27          | 4033.095       | BASE                            |
| 28          | 4032.560       | SIDE PANEL                      |
| 29          | 4111.625       | LOWER BODY                      |
| 30          | 4033.183       | COMBUSTION CHAMBER              |
| 31          | 4032.544       | OUTLET CONE                     |
| 32          | 4031.068       | CONN. STRAIGHT 1/4"             |
| 33          | 4031.067       | PIPE CONNECTION 1/4"            |
| 34          | 4031.062       | FUEL PIPE PUMP-TANK             |
| 35          | 4031.063       | FUEL PIPE TANK-FILTER           |
| 36          | 4031.061       | FUEL PIPE FILTER-PUMP           |
| 37          | 4031.070       | FILTER CARTIDGE 3/8"            |
| 38          | 4111.116       | OR KIT FILTER                   |
| 39          | 4031.015       | FILTER CARTIDGE                 |
| 40          | 4032.437       | FILTER SUPPORT                  |
| 41          | 4031.064       | DOUBLE SCREW                    |
| 42          | 4032.472       | NECK PLASTIC FILLER             |
| 50          | 4032.446       | ELECTR. COMPONENTS DRAWER       |
| 51          | 4117.058       | PILOT LAMP 230V                 |

---

| <b>Pos.</b> | <b>Code NR</b> | <b>Description</b>        |
|-------------|----------------|---------------------------|
| 52          | 4111.040       | FUSE (6,3X32) 10A         |
| 53          | 4111.038       | CABLE FASTENER            |
| 54          | 4111.153       | POWER CORD                |
| 55          | 4162.467       | CAP FOR THERMOSTAT SOCKET |
| 56          | 4111.119       | THERMOSTAT SOCKET         |
| 57          | 4160.637       | SWITCH                    |
| 58          | 4110.968       | CONTROL BOX               |
| 59          | 4032.448       | ELECTR. COMPONENTS BASE   |
| 60          | 4032.499       | CONTROL BOX SUPPORT       |
| 61          | 4110.969       | CONTROL BOX BASE          |
| 62          | 4110.967       | SUPPORT PG PHOTOCELL      |
| 63          | 4110.155       | EDGE LINER                |
| 64          | 4111.033       | TERMINAL BOARD            |
| 65          | 4160.639       | POP RIVET                 |
| 66          | 4032.450       | PLASTIC PIN               |
| 67          | 4111.032       | RELAY FINDER              |
| 68          | 4031.541       | TRANSFORMER               |
| 69          | 4110.490       | H.T. CABLE                |
| 70          | 4160.421       | M4 SCREW                  |
| 71          | 4111.081       | COUPLING SIMEL            |
| 72          | 4111.042       | PUMP DANFOSS              |
| 73          | 4161.501       | CONN. STRAIGHT 1/8"       |
| 74          | 4033.198       | ELBOW 1/8"                |
| 75          | 4033.186       | OIL SUPPLY PIPE           |
| 76          | 4033.087       | PUMP POWER CORD           |
| 77          | 4110.970       | PHOTOCELL CONN. CLABE     |
| 78          | 4110.966       | PHOTOCELL                 |
| 79          | 4111.076       | PHOTOCELL BLOCK BRACKET   |
| 80          | 4033.034       | BURNER FLANGE             |
| 81          | 4031.020       | NOZZLE 0,65 GHP 80°       |
| 82          | 4033.071       | TURBO DISC                |
| 83          | 4032.454       | M6 NUT                    |
| 84          | 4032.545       | AIR REGULATION FLAP       |
| 85          | 4031.045       | FAN THERMOSTAT            |
| 86          | 4031.047       | LIMIT THERMOSTAT          |
| 87          | 4111.826       | ELECTRODE                 |



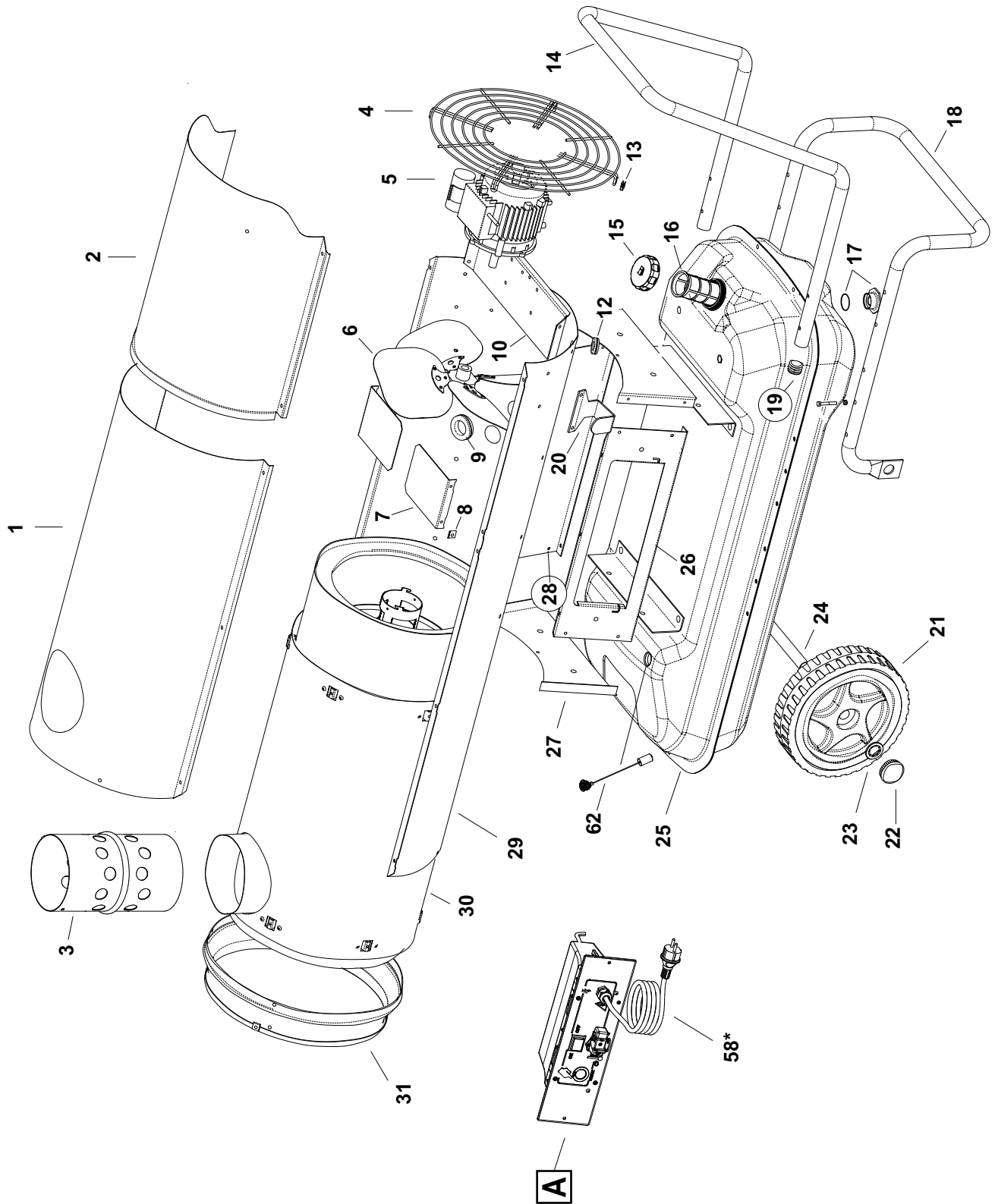
# BV 110 MODEL 2013

UNIT 1

ILLUSTRATED PARTS BREAKDOWN

From Serial Number: 09233000649

Edizione 2013  
Rev. A

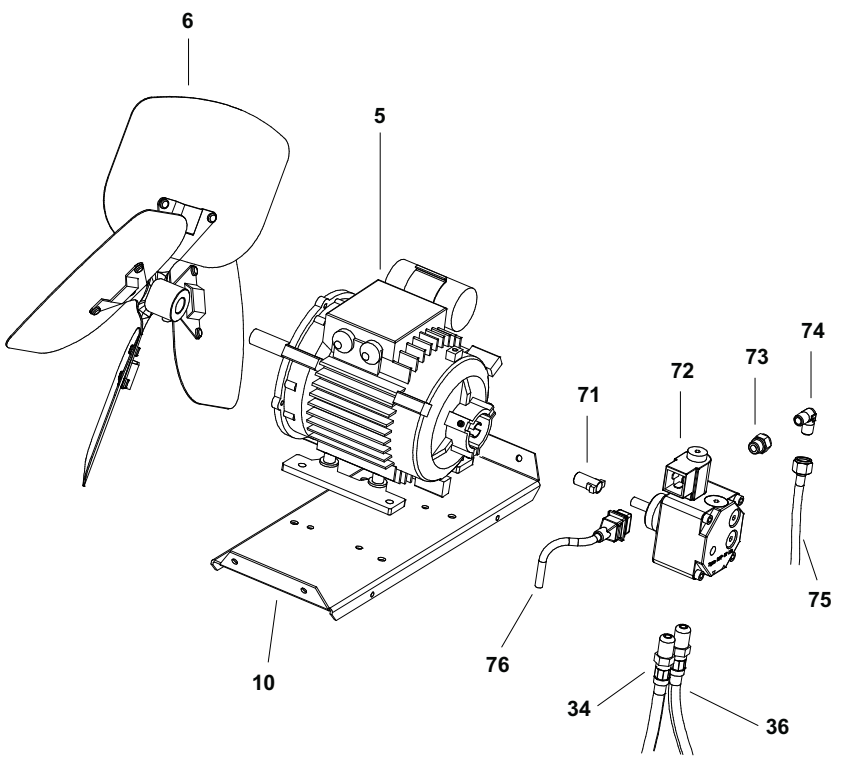
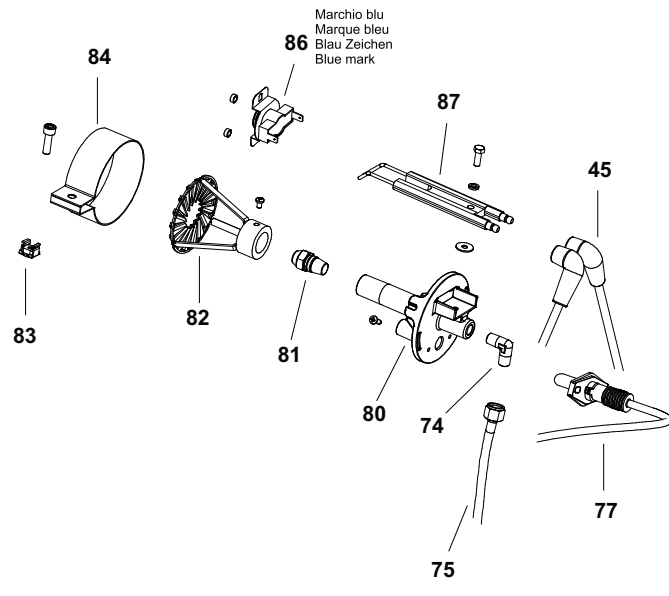
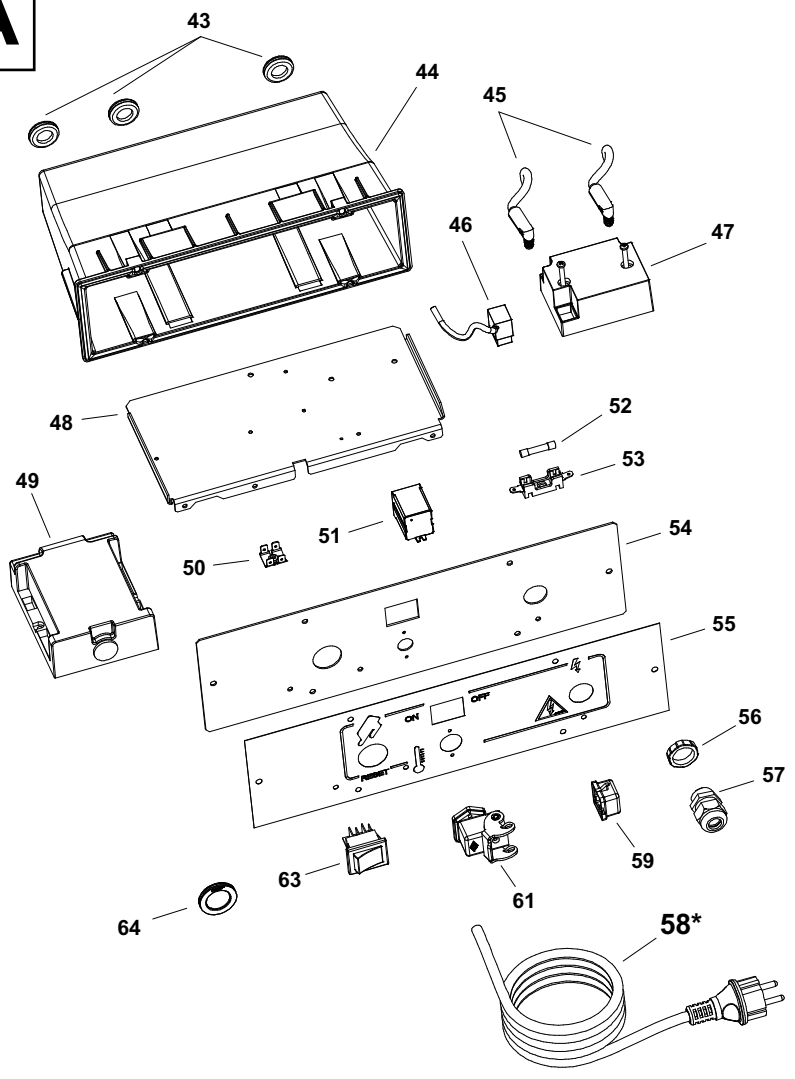
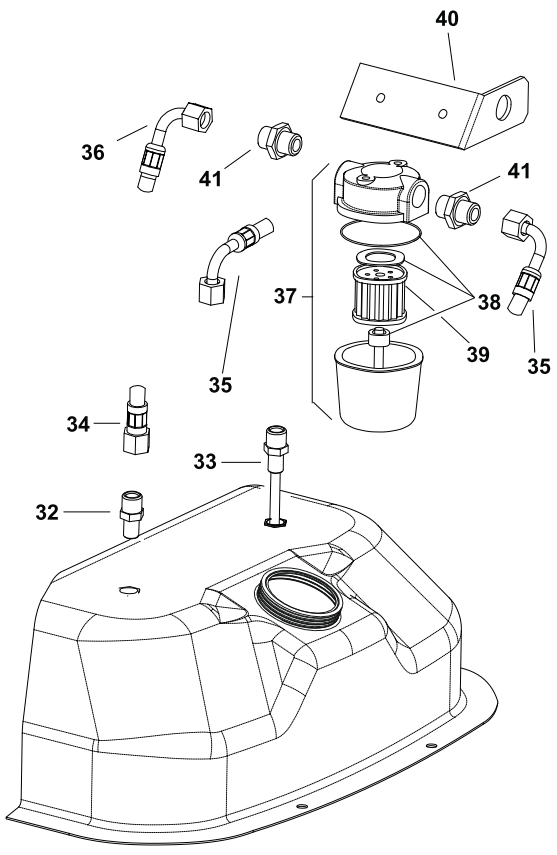


# BV 110 MODEL 2013

UNIT 2

ILLUSTRATED PARTS BREAKDOWN

**A**



Marchio blu  
 Marque bleu  
 Blau Zeichen  
 Blue mark

---

| <b>Pos.</b> | <b>Code NR</b> | <b>Description</b>              |
|-------------|----------------|---------------------------------|
| 1           | 4032.654       | UPPER BODY                      |
| 2           | 4032.548       | UPPER BODY MOBILE               |
| 3           | 4032.534       | CHIMNEY                         |
| 4           | 4032.557       | INLET GRILLE                    |
| 5           | 4032.594       | MOTOR                           |
| 6           | 4032.593       | FAN                             |
| 7           | 4032.554       | AIR FLAP                        |
| 8           | 4104.170       | CLIP NUT                        |
| 9           | 4111.056       | PROTECTION CLABLE               |
| 10          | 4032.555       | MOTOR FLANGE                    |
| 12          | 4160.646       | PROTECTION CLABLE               |
| 13          | 4111.241       | ELASTIC PLATE                   |
| 14          | 4032.568       | HANDLE FRAME                    |
| 15          | 4260.100       | TANK CAP                        |
| 16          | 4290.083       | TANK FILTER                     |
| 17          | 4100.632       | DRAIN PLUG                      |
| 18          | 4032.564       | FOOT FRAME                      |
| 19          | 4111.057       | PLUG                            |
| 20          | 4032.536       | POWER CORD HOOK                 |
| 21          | 4032.094       | WHEEL Ø 250                     |
| 22          | 4111.480       | WHEEL PLUG                      |
| 23          | 4111.072       | WHEEL HOLDER Ø 20               |
| 24          | 4032.566       | AXLE                            |
| 25          | 4033.242       | FUEL TANK                       |
| 26          | 4032.558       | ELECTR. COMPONENTS DRAWER PANEL |
| 27          | 4033.095       | BASE                            |
| 28          | 4032.560       | SIDE PANEL                      |
| 29          | 4111.625       | LOWER BODY                      |
| 30          | 4033.183       | COMBUSTION CHAMBER              |
| 31          | 4031.659       | OUTLET CONE                     |
| 32          | 4031.068       | CONN. STRAIGHT 1/4"             |
| 33          | 4031.067       | PIPE CONNECTION 1/4"            |
| 34          | 4031.062       | FUEL PIPE PUMP-TANK             |
| 35          | 4031.063       | FUEL PIPE TANK-FILTER           |
| 36          | 4031.061       | FUEL PIPE FILTER-PUMP           |
| 37          | 4031.070       | FILTER WITH CARTIDGE 3/8"       |
| 38          | 4111.116       | OR KIT FILTER                   |
| 39          | 4031.015       | FILTER CARTIDGE                 |
| 40          | 4032.437       | FILTER SUPPORT                  |

| <b>Pos.</b> | <b>Code NR</b> | <b>Description</b>        |
|-------------|----------------|---------------------------|
| 41          | 4031.064       | DOUBLE SCREW              |
| 43          | 4162.500       | PROTECTION CABLE          |
| 44          | 4033.257       | PLASTIX BOX               |
| 45          | 4110.490       | HT CABLE                  |
| 46          | 4033.256       | TRANSFORMER POWER CORD    |
| 47          | 4031.541       | TRANSFORMER               |
| 48          | 4033.249       | CONTROL BASE              |
| 49          | 4033.250       | CONTROL BOX               |
| 50          | 4160.639       | POP RIVET 4 WAY           |
| 51          | 4111.032       | RELAY                     |
| 52          | 4111.040       | FUSE                      |
| 53          | 4033.301       | FUSE HOLDER               |
| 54          | 4033.248       | FRONTAL CONTROLS PANEL    |
| 55          | 4033.254       | PANEL LABEL               |
| 56          | 4100.656       | LOCKNUT                   |
| 57          | 4150.528       | STRAIN RELIEF BUSHING     |
| 58          | 4033.253       | POWER CORD SCHUKO         |
| 58-A        | 4033.252       | POWER CORD NEW ZEALAND    |
| 58-B        | 4033.302       | POWER CORD UK             |
| 59          | 4162.467       | CAP FOR THERMOSTAT SOCKET |
| 61          | 4111.119       | THERMOSTAT SOCKET         |
| 62          | 4260.105       | FUEL GAUGE                |
| 63          | 4165.204       | ROCKER SWITCH             |
| 64          | 4033.251       | BOARD BUTTON CAP          |
| 71          | 4111.081       | COUPLING                  |
| 72          | 4111.042       | PUMP                      |
| 73          | 4161.501       | CONN. STRAIGHT 1/8"       |
| 74          | 4033.198       | ELBOW 1/8"                |
| 75          | 4033.186       | OIL SUPPLY PIPE           |
| 76          | 4033.087       | PUMP POWER CORD           |
| 77          | 4033.246       | PHOTOCELL                 |
| 80          | 4033.034       | BURNER FLANGE             |
| 81          | 4031.020       | NOZZLE                    |
| 82          | 4033.071       | TURBO DISC                |
| 83          | 4032.454       | M6 NUT                    |
| 84          | 4032.545       | AIR REGULATION FLAP       |
| 86          | 4031.047       | LIMIT THERMOSTAT          |
| 87          | 4111.826       | ELECTRODE                 |

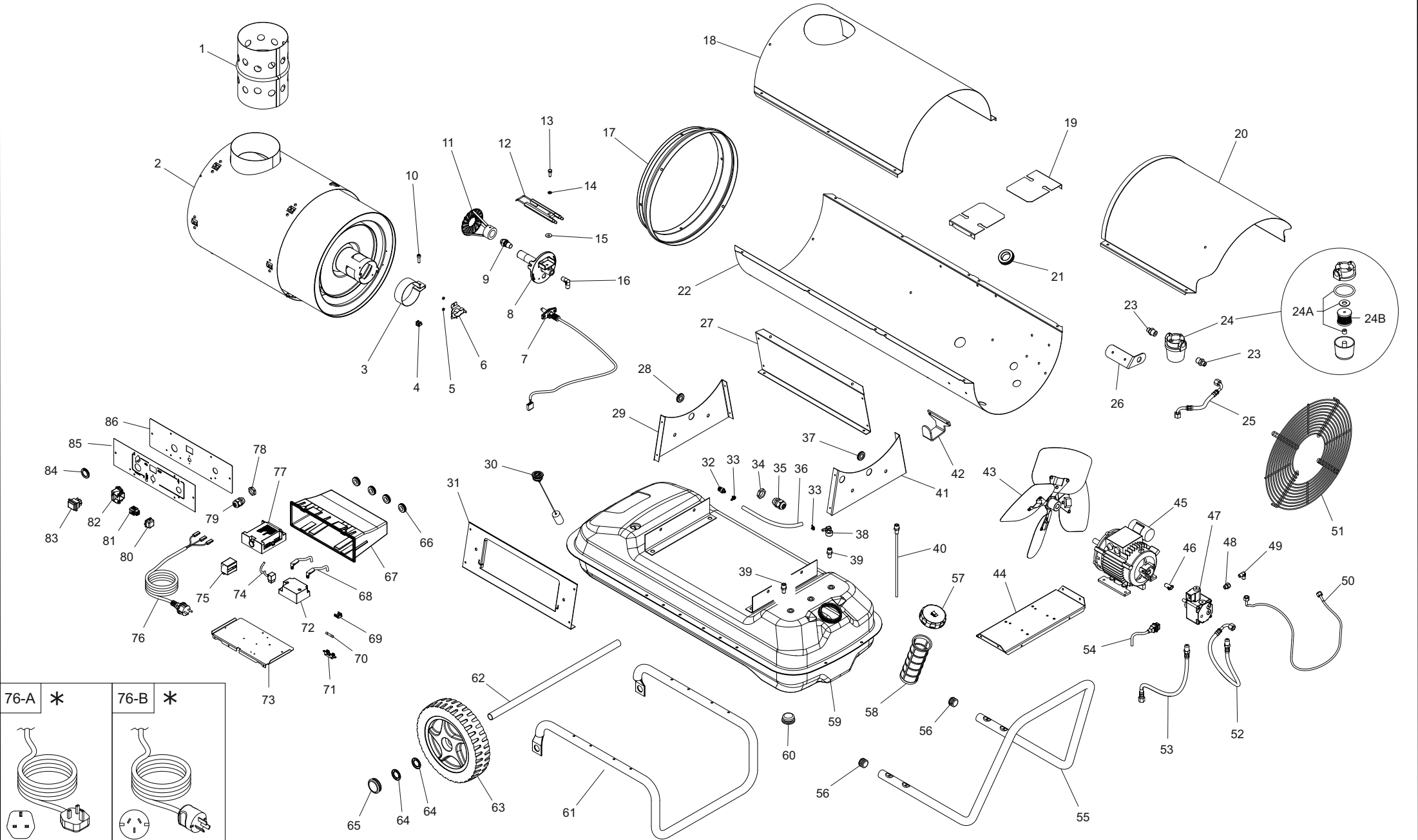
# MODEL BV110 E

## UNIT 1

## ILLUSTRATED PARTS BREAKDOWN

From Serial Number: 11237000286

Rev.H - Jan. 2017



|                           |                               |
|---------------------------|-------------------------------|
| 76-A *                    | 76-B *                        |
|                           |                               |
| POWER CORD UK<br>(type G) | POWER CORD NEW ZL<br>(type I) |

| <b>Pos.</b> | <b>Code NR</b> | <b>Description</b>       |
|-------------|----------------|--------------------------|
| 1           | 4032.534       | CHIMNEY                  |
| 2           | 4033.183       | COMBUSTION CHAMBER       |
| 3           | 4032.545       | AIR DAMPER               |
| 4           | 4032.454       | CAGE NUT                 |
| 5           | 4032.692       | SPACER                   |
| 6           | 4031.047       | SAFETY THERMOSTAT        |
| 7           | 4033.246       | PHOTOCELL SENSOR         |
| 8           | 4033.034       | BURNER HEAD              |
| 9           | 4031.020       | NOZZLE                   |
| 10          | 4032.455       | SCREW                    |
| 11          | 4033.071       | BURNER HEAD DIFFUSER     |
| 12          | 4111.826       | BIFILAR ELECTRODES       |
| 13          | 4110.363       | SCREW                    |
| 14          | 4110.393       | ELASTIC WASHER           |
| 15          | 4110.394       | FIBER WASHER             |
| 16          | 4033.198       | 90° FUEL CONNECTION      |
| 17          | 4031.659       | OUTLET CONE              |
| 18          | 4032.654       | UPPER SHELL              |
| 19          | 4032.554       | AIR DEFLECTOR            |
| 20          | 4032.548       | UPPER SHELL - MOBILE     |
| 21          | 4111.056       | GASKET                   |
| 22          | 4111.625       | LOWER SHELL              |
| 23          | 4034.378       | STRAIGHT FUEL CONNECTION |
| 24          | 4031.070       | FUEL FILTER              |
| 24A         | 4111.116       | OR FILTER KIT            |
| 24B         | 4031.015       | FILTER CARTRIDGE         |
| 24C         | 4031.180       | FILTER HOUSING           |
| 25          | 4031.063       | FUEL PIPE - FILTER TANK  |
| 26          | 4032.437       | FILTER BRACKET           |
| 27          | 4032.560       | LATERAL PANEL            |
| 28          | 4162.500       | GASKET                   |
| 29          | 4033.095       | FRONT PANEL              |
| 30          | 4260.105       | FUEL GAUGE               |
| 31          | 4032.558       | LATERAL CONTROL PANEL    |
| 32          | 4260.246       | BREATH VALVE             |
| 33          | 4100.810       | CLIP                     |
| 34          | 4100.656       | NUT                      |
| 35          | 4150.528       | STRAIN RELIEF            |
| 36          | 4100.204       | RUBBER PIPE              |
| 37          | 4162.500       | GASKET                   |
| 38          | 4100.192       | 90° AIR CONNECTION       |
| 39          | 4031.068       | STRAIGH CONNECTION       |
| 40          | 4031.067       | SUCTION PIPE             |
| 41          | 4034.293       | REAR PANEL               |
| 42          | 4032.536       | POWER CORD BRACKET       |
| 43          | 4032.593       | FAN                      |
| 44          | 4032.555       | MOTOR SUPPORT            |

| <b>Pos.</b> | <b>Code NR</b> | <b>Description</b>                  |
|-------------|----------------|-------------------------------------|
| 45          | 4032.594       | MOTOR                               |
| 46          | 4111.081       | MOTOR PUMP COUPLING                 |
| 47          | 4111.042       | FUEL PUMP                           |
| 48          | 4161.501       | STRAIGHT FUEL CONNECTION            |
| 49          | 4033.198       | 90° FUEL CONNECTION                 |
| 50          | 4033.186       | FUEL FLEXIBLE PIPE                  |
| 51          | 4032.557       | GRILLE                              |
| 52          | 4031.061       | FUEL PIPE - PUMP-FILTER             |
| 53          | 4031.062       | FUEL PIPE - PUMP-TANK               |
| 54          | 4033.087       | PUMP VALVE POWER CORD               |
| 55          | 4032.568       | HANDLE                              |
| 56          | 4111.057       | HANDLE CAP                          |
| 57          | 4034.283       | TANK CAP                            |
| 58          | 4290.213       | TANK FILTER                         |
| 59          | 4034.290       | TANK                                |
| 60          | 4100.632       | TANK DRAIN CAP                      |
| 61          | 4032.564       | WHEELS SUPPORT                      |
| 62          | 4032.566       | WHEELS AXLE                         |
| 63          | 4032.094       | WHEEL                               |
| 64          | 4111.072       | BLOCK WASHER                        |
| 65          | 4111.480       | WHEEL CAP                           |
| 66          | 4160.646       | GASKET                              |
| 67          | 4033.257       | PLASTIC BOX                         |
| 68          | 4110.490       | HIGH TENSION WIRE                   |
| 69          | 4160.639       | GROUND FASTON                       |
| 70          | 4111.040       | FUSE                                |
| 71          | 4033.301       | FUSE HOLDER                         |
| 72          | 4031.541       | HIGH TENSION TRANSFORMER            |
| 73          | 4033.249       | CONTROL PANEL BASE                  |
| 74          | 4033.256       | HIGH TENSION TRANSFORMER POWER CORD |
| 75          | 4111.032       | RELAY                               |
| 76          | 4033.253       | POWER CORD SCHUKO                   |
| 76A         | 4033.302       | POWER CORD UK                       |
| 76B         | 4033.252       | POWER CORD NEW ZEALAND              |
| 77          | 4033.250       | PC-BOARD                            |
| 78          | 4100.656       | NUT                                 |
| 79          | 4150.528       | STRAIN RELIEF                       |
| 80          | 4162.467       | THERMOSTAT CAP                      |
| 81          | 4161.400       | THERMOSTAT PLUG                     |
| 82          | 4160.647       | THERMOSTAT SOCKET                   |
| 83          | 4165.204       | SWITCH                              |
| 84          | 4033.251       | PC-BOARD CAP                        |
| 85          | 4033.254       | CONTROL PANEL LABEL                 |
| 86          | 4033.248       | CONTROL PANEL                       |

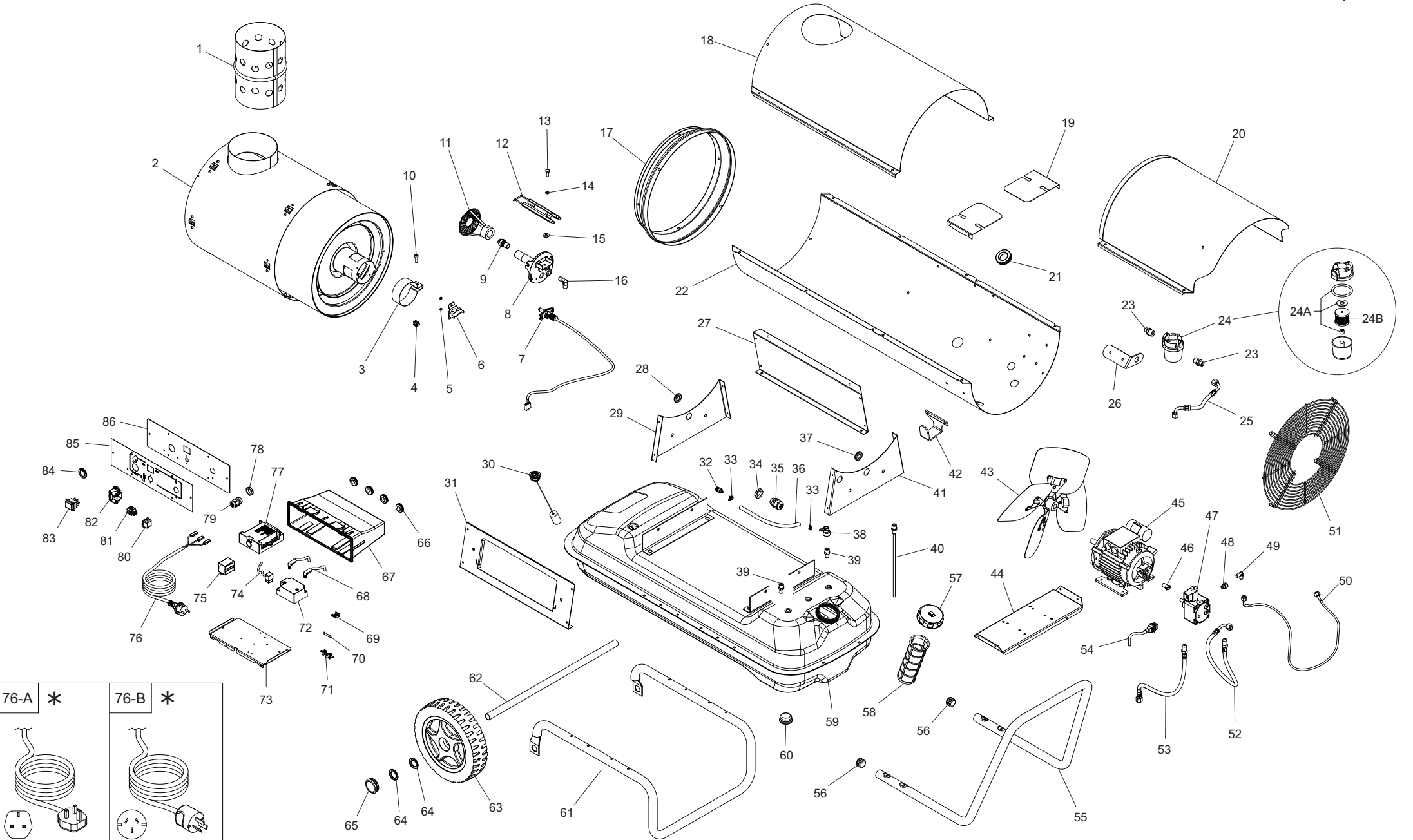
# MODEL BV 110E

## UNIT 1

## ILLUSTRATED PARTS BREAKDOWN

From Serial Number: 1124200001

Rev.I - Apr. 2022



|                           |                               |
|---------------------------|-------------------------------|
| 76-A *                    | 76-B *                        |
|                           |                               |
| POWER CORD UK<br>(type G) | POWER CORD NEW ZL<br>(type I) |



| <b>Pos.</b> | <b>Code NR</b> | <b>Description</b>       |
|-------------|----------------|--------------------------|
| 1           | 4032.534       | CHIMNEY                  |
| 2           | 4033.183       | COMBUSTION CHAMBER       |
| 3           | 4032.545       | AIR DAMPER               |
| 4           | 4032.454       | CAGE NUT                 |
| 5           | 4032.692       | SPACER                   |
| 6           | 4031.047       | SAFETY THERMOSTAT        |
| 7           | 4033.246       | PHOTOCELL SENSOR         |
| 8           | 4033.034       | BURNER HEAD              |
| 9           | 4031.020       | NOZZLE                   |
| 10          | 4032.455       | SCREW                    |
| 11          | 4033.071       | BURNER HEAD DIFFUSER     |
| 12          | 4111.826       | BIFILAR ELECTRODES       |
| 13          | 4110.363       | SCREW                    |
| 14          | 4110.393       | ELASTIC WASHER           |
| 15          | 4110.394       | FIBER WASHER             |
| 16          | 4033.198       | 90° FUEL CONNECTION      |
| 17          | 4031.659       | OUTLET CONE              |
| 18          | 4032.654       | UPPER SHELL              |
| 19          | 4032.554       | AIR DEFLECTOR            |
| 20          | 4032.548       | UPPER SHELL - MOBILE     |
| 21          | 4111.056       | GASKET                   |
| 22          | 4111.625       | LOWER SHELL              |
| 23          | 4034.378       | STRAIGHT FUEL CONNECTION |
| 24          | 4031.070       | FUEL FILTER              |
| 24A         | 4111.116       | OR FILTER KIT            |
| 24B         | 4031.015       | FILTER CARTRIDGE         |
| 24C         | 4031.180       | FILTER HOUSING           |
| 25          | 4035.846       | FUEL PIPE - FILTER TANK  |
| 26          | 4032.437       | FILTER BRACKET           |
| 27          | 4032.560       | LATERAL PANEL            |
| 28          | 4162.500       | GASKET                   |
| 29          | 4033.095       | FRONT PANEL              |
| 30          | 4260.105       | FUEL GAUGE               |
| 31          | 4032.558       | LATERAL CONTROL PANEL    |
| 32          | 4260.246       | BREATH VALVE             |
| 33          | 4100.810       | CLIP                     |
| 34          | 4100.656       | NUT                      |
| 35          | 4150.528       | STRAIN RELIEF            |
| 36          | 4100.204       | RUBBER PIPE              |
| 37          | 4162.500       | GASKET                   |
| 38          | 4100.192       | 90° AIR CONNECTION       |
| 39          | 4031.068       | STRAIGH CONNECTION       |
| 40          | 4031.067       | SUCTION PIPE             |
| 41          | 4034.293       | REAR PANEL               |
| 42          | 4032.536       | POWER CORD BRACKET       |
| 43          | 4032.593       | FAN                      |
| 44          | 4032.555       | MOTOR SUPPORT            |

---

| <b>Pos.</b> | <b>Code NR</b> | <b>Description</b>                  |
|-------------|----------------|-------------------------------------|
| 45          | 4032.594       | MOTOR                               |
| 46          | 4111.081       | MOTOR PUMP COUPLING                 |
| 47          | 4111.042       | FUEL PUMP                           |
| 48          | 4161.501       | STRAIGHT FUEL CONNECTION            |
| 49          | 4033.198       | 90° FUEL CONNECTION                 |
| 50          | 4033.186       | FUEL FLEXIBLE PIPE                  |
| 51          | 4032.557       | GRILLE                              |
| 52          | 4035.844       | FUEL PIPE - PUMP-FILTER             |
| 53          | 4035.845       | FUEL PIPE - PUMP-TANK               |
| 54          | 4033.087       | PUMP VALVE POWER CORD               |
| 55          | 4032.568       | HANDLE                              |
| 56          | 4111.057       | HANDLE CAP                          |
| 57          | 4034.283       | TANK CAP                            |
| 58          | 4290.213       | TANK FILTER                         |
| 59          | 4034.290       | TANK                                |
| 60          | 4100.632       | TANK DRAIN CAP                      |
| 61          | 4032.564       | WHEELS SUPPORT                      |
| 62          | 4032.566       | WHEELS AXLE                         |
| 63          | 4032.094       | WHEEL                               |
| 64          | 4111.072       | BLOCK WASHER                        |
| 65          | 4111.480       | WHEEL CAP                           |
| 66          | 4160.646       | GASKET                              |
| 67          | 4033.257       | PLASTIC BOX                         |
| 68          | 4110.490       | HIGH TENSION WIRE                   |
| 69          | 4160.639       | GROUND FASTON                       |
| 70          | 4111.040       | FUSE                                |
| 71          | 4033.301       | FUSE HOLDER                         |
| 72          | 4031.541       | HIGH TENSION TRANSFORMER            |
| 73          | 4033.249       | CONTROL PANEL BASE                  |
| 74          | 4033.256       | HIGH TENSION TRANSFORMER POWER CORD |
| 75          | 4111.032       | RELAY                               |
| 76          | 4033.253       | POWER CORD SCHUKO                   |
| 76A         | 4033.302       | POWER CORD UK                       |
| 76B         | 4033.252       | POWER CORD NEW ZEALAND              |
| 77          | 4033.250       | PC-BOARD                            |
| 78          | 4100.656       | NUT                                 |
| 79          | 4150.528       | STRAIN RELIEF                       |
| 80          | 4162.467       | THERMOSTAT CAP                      |
| 81          | 4161.400       | THERMOSTAT PLUG                     |
| 82          | 4160.647       | THERMOSTAT SOCKET                   |
| 83          | 4165.204       | SWITCH                              |
| 84          | 4033.251       | PC-BOARD CAP                        |
| 85          | 4033.254       | CONTROL PANEL LABEL                 |
| 86          | 4033.248       | CONTROL PANEL                       |