

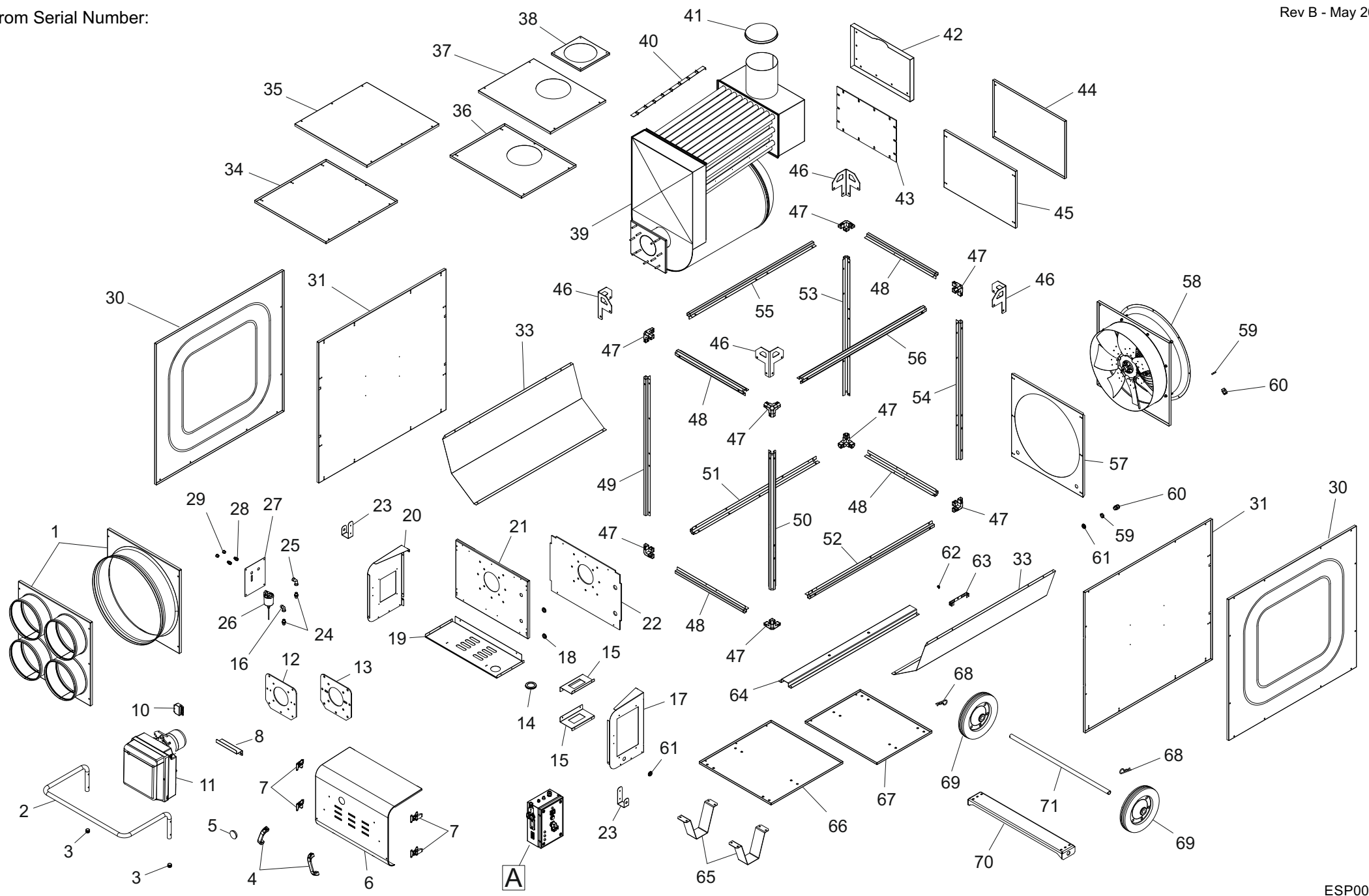
MODEL AIRBUS BV 691 S - 230 V / 50 Hz

UNIT 1

ILLUSTRATED PARTS BREAKDOWN

Rev B - May 2020

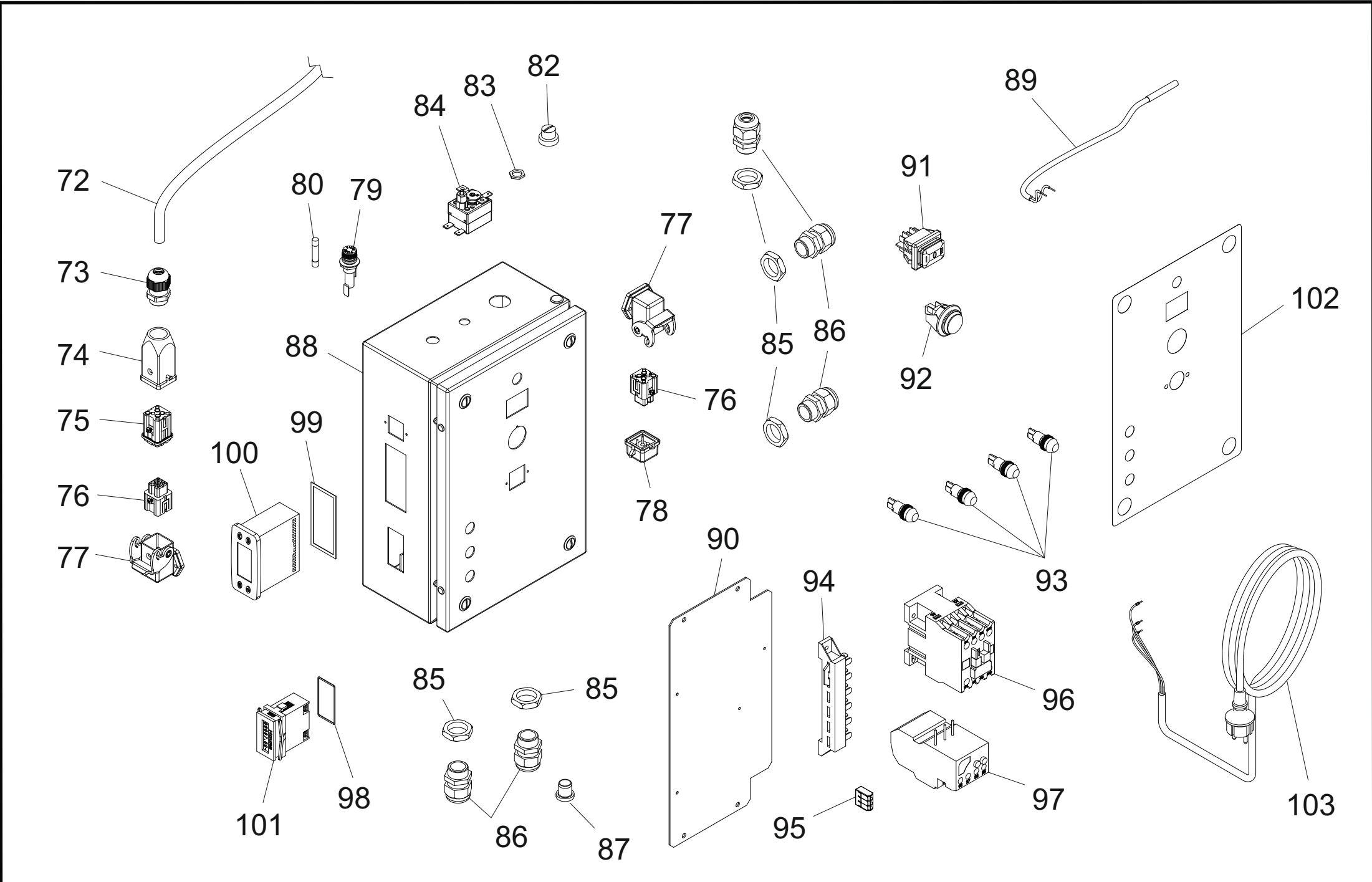
From Serial Number:



MODEL AIRBUS BV 691 S - 230 V / 50 Hz

UNIT 2

ILLUSTRATED PARTS BREAKDOWN



MODEL BV 691S

UNIT 3

PARTS LIST

N°	CODE	DESCRIPTION
1	4240.826	1 WAY OUTLET
	4240.669	4 WAY OUTLET
2	4240.830	HANDLE
3	4111.057	HANDLE CAP
4	4162.934	BOX COVER HANDLE
5	4240.476	TRANSPARENT CAP
6	4240.842	BURNER BOX COVER
7	4240.772	BURNER BOX CLAMP
8	4240.666	BURNER STABILIZER
10	4614.001	BURNER PLUG
11	4514.304	BURNER
12	4514.168	BURNER METAL PLATE
13	4514.616	BURNER INSULATION PLATE
14	4240.475	RUBBER CAP
15	4240.770	CONTROL BOX BRACKET
16	4031.581	90° CONNECTION
17	4240.843	RIGHT SIDE BURNER PANEL
18	4240.273	CABLE RUBBER PROTECTION
19	4240.	LOWER BURNER PANEL
20	4240.845	LEFT SIDE BURNER PANEL
21	4240.847	EXTERNAL BURNER PANEL
22	4240.849	INSULATION BURNER PANEL
23	4240.717	WIRE HOOK
24	4117.757	STRAIGHT CONNECTION
25	4240.590	90° CONNECTION
26	4033.090	FUEL FILTER
27	4240.402	FUEL FILTER PANEL
28	4034.378	STRAIGHT CONNECTION
29	4034.257	METAL CAP
30	4240.828	EXTERNAL SIDE PANEL
31	4240.656	INTERNAL SIDE PANEL
33	4240.634	INTERNAL INSULATION PANEL
34	4240.647	INTERNAL UPPER BIG PANEL
35	4240.629	EXTERNAL UPPER BIG PANEL
36	4240.646	INTERNAL CHIMNEY PANEL
37	4240.631	EXTERNAL CHIMNEY PANEL
38	4240.436	REGULATION CHIMNEY PANEL
39	4240.622	COMBUSTION CHAMBER
40	4517.786	TURBULIZATOR
41	4240.477	CHIMNEY CAP
42	4240.624	EXTERNAL CHAMBER PANEL
43	4260.621	INSULATION CHAMBER PANEL
44	4240.642	EXTERNAL BACK PANEL
45	4240.639	INTERNAL BACK PANEL
46	4240.505	LIFTING BRACKET
47	4240.191	CHASSIS CORNER
48	4240.605	SMALL HORIZONTAL PROFILE
49	4240.834	FRONT LEFT PROFILE
50	4240.832	FRONT RIGHT PROFILE
51	4240.838	LOWER LEFT PROFILE
52	4240.836	LOWER RIGHT PROFILE
53	4240.613	BACK LEFT PROFILE
54	4240.611	BACK RIGHT PROFILE
55	4240.615	UPPER LEFT PROFILE
56	4240.603	UPPER RIGHT PROFILE

MODEL BV 691S

UNIT 3

PARTS LIST

N°	CODE	DESCRIPTION
57	4240.645	INTERNAL MOTOR PANEL
58	4241.089	MOTOR-FAN
59	4100.656	NUT
60	4150.528	STRAIN RELIEF
61	4514.607	WIRE PROTECTION
62	4510.855	SENSOR CLIP
63	4240.438	SENSOR BRACKET
64	4240.625	CHAMBER SUPPORTING BEAM
65	4240.660	FOOT
66	4240.637	LOWER BIG PANEL
67	4240.635	LOWER SMALL PANEL
68	4514.845	WHEEL CLIP
69	5269.401	WHEEL
70	4240.773	AXLE BRACKET
71	4514.183	WHEELS AXLE
72	4240.407	BURNER WIRE
73	4160.651	STRAIN RELIEF
74	4160.648	MOBILE COVER
75	4161.401	MALE PLUG
76	4161.400	FEMALE SOCKET
77	4160.647	90° COVER
78	4162.970	THERMOSTAT CAP
79	4240.577	FUSE HOLDER
80	4117.057	FUSE
81	4240.413	LATERAL LABEL
82	4033.905	LIMIT THERMOSTAT CAP
83	4033.906	LIMIT THERMOSTAT NUT
84	4240.290	LIMIT THERMOSTAT
85	4100.656	NUT
86	4150.528	STRAIN RELIEF
87	4260.288	CAP
88	4240.405	METAL BOX
89	4240.406	TEMPERATURE SENSOR
90	4240.409	COMPONENTS BRACKET
91	4240.414	SWITCH
92	4240.599	BYPASS SWITCH
93	4117.058	LED
94	4510.414	TERMINAL BOX
95	4117.669	MOBILE TERMINAL BOX
96	4240.138	CONTACTOR
97	4240.041	THERMAL RELAY
98	4240.541	HOUR COUNTER GASKET
99	4240.540	ELECTRONIC CONTROLLER GASKET
100	4240.663	ELECTRONIC CONTROLLER
101	4240.416	HOUR COUNTER
102	4240.412	FRONT LABEL
103	4240.538	POWER CORD

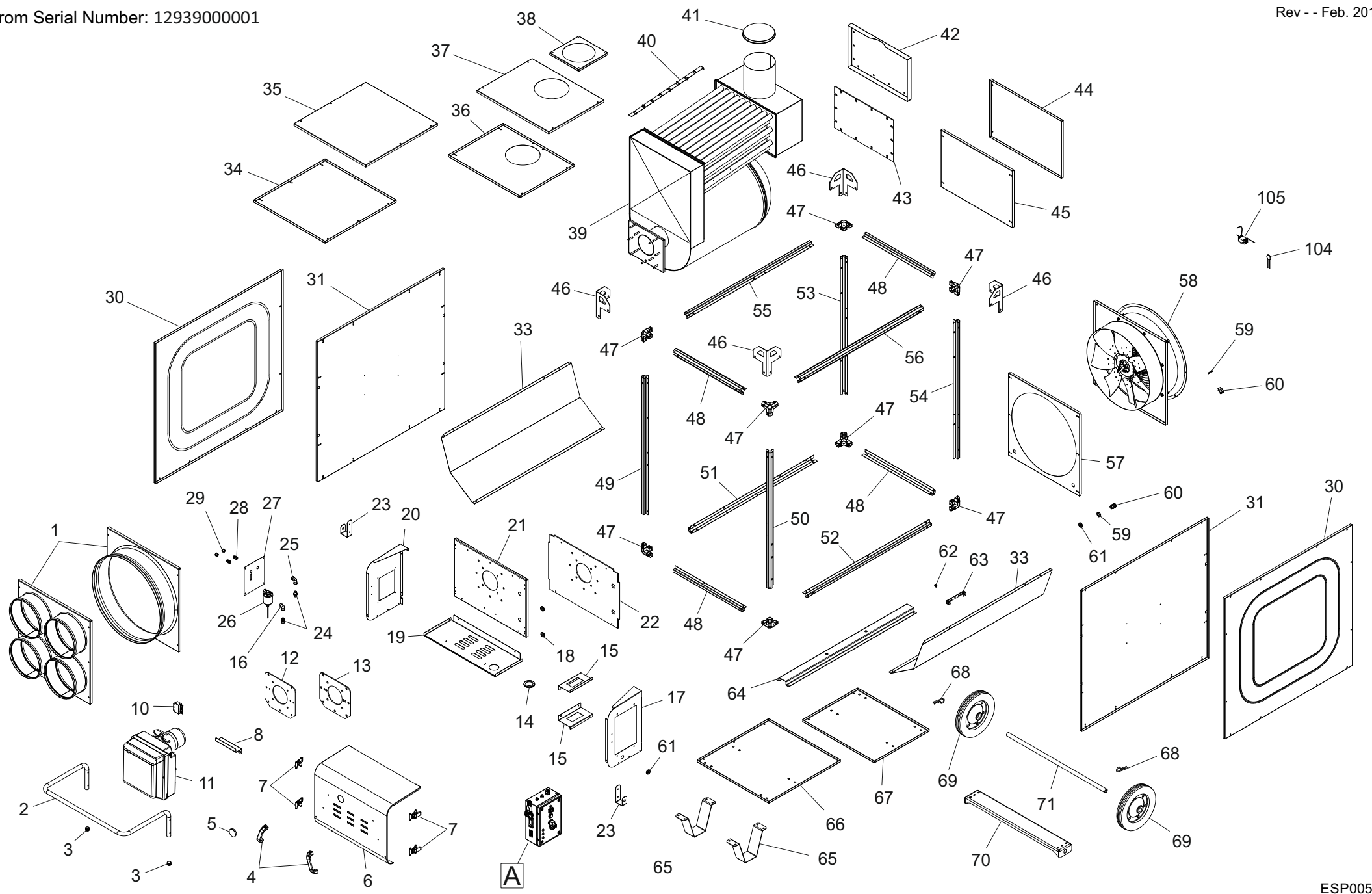
MODEL AIRBUS BV 691 S - 230 V / 50 Hz

UNIT 1

ILLUSTRATED PARTS BREAKDOWN

From Serial Number: 12939000001

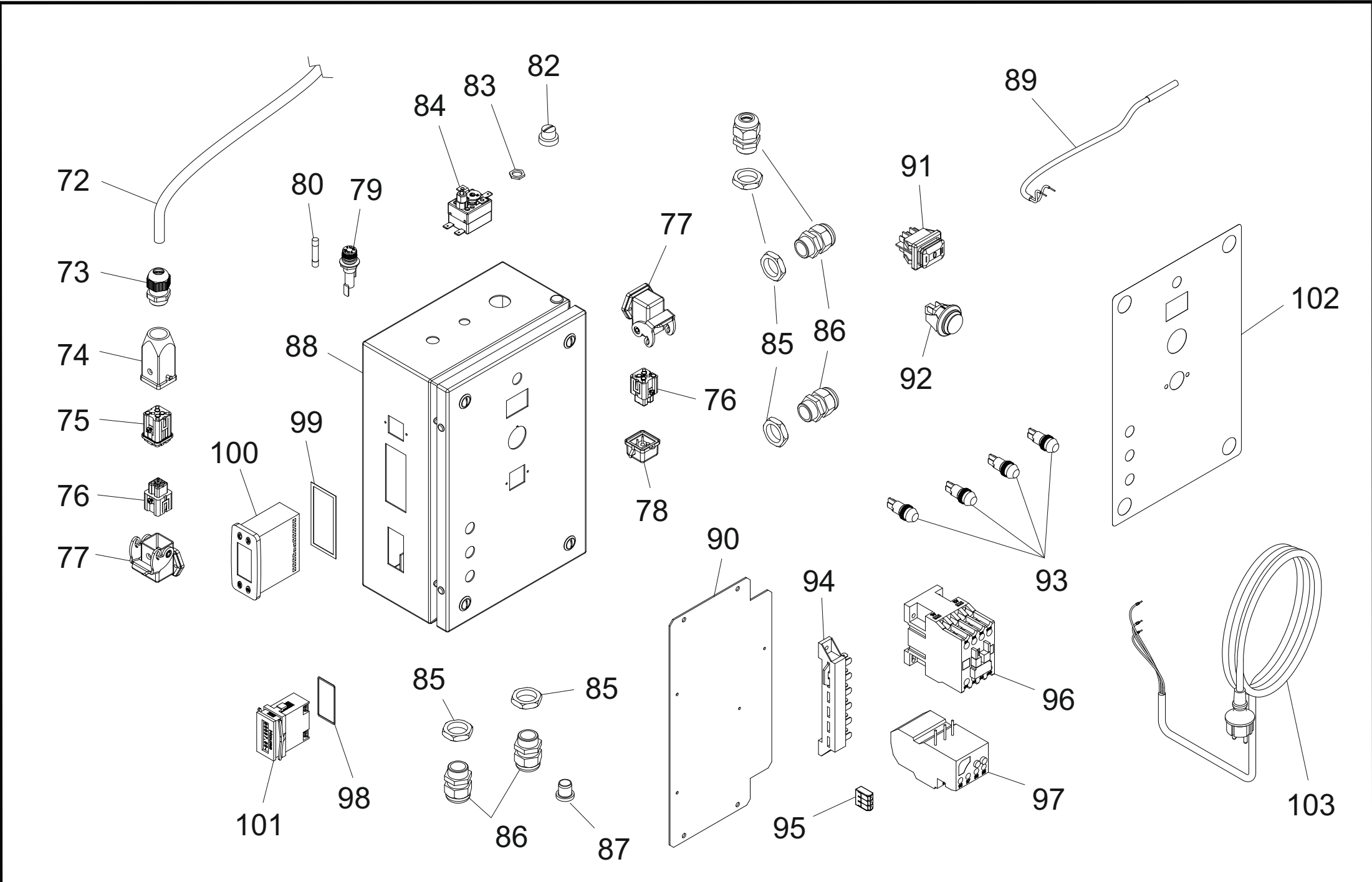
Rev -- Feb. 2019



MODEL AIRBUS BV 691 S - 230 V / 50 Hz

UNIT 1

ILLUSTRATED PARTS BREAKDOWN



MODEL BV 691S

UNIT 3

PARTS LIST

N°	CODE	DESCRIPTION
1	4240.826	1 WAY OUTLET
	4240.669	4 WAY OUTLET
2	4240.830	HANDLE
3	4111.057	HANDLE CAP
4	4162.934	BOX COVER HANDLE
5	4240.476	TRANSPARENT CAP
6	4240.842	BURNER BOX COVER
7	4240.772	BURNER BOX CLAMP
8	4240.666	BURNER STABILIZER
10	4614.001	BURNER PLUG
11	4514.304	BURNER
12	4514.168	BURNER METAL PLATE
13	4514.616	BURNER INSULATION PLATE
14	4240.475	RUBBER CAP
15	4240.770	CONTROL BOX BRACKET
16	4031.581	90° CONNECTION
17	4240.843	RIGHT SIDE BURNER PANEL
18	4240.273	CABLE RUBBER PROTECTION
19	4240.484	LOWER BURNER PANEL
20	4240.845	LEFT SIDE BURNER PANEL
21	4240.847	EXTERNAL BURNER PANEL
22	4240.849	INSULATION BURNER PANEL
23	4240.717	WIRE HOOK
24	4117.757	STRAIGHT CONNECTION
25	4240.590	90° CONNECTION
26	4033.090	FUEL FILTER
27	4240.402	FUEL FILTER PANEL
28	4034.378	STRAIGHT CONNECTION
29	4034.257	METAL CAP
30	4240.828	EXTERNAL SIDE PANEL
31	4240.656	INTERNAL SIDE PANEL
33	4240.634	INTERNAL INSULATION PANEL
34	4240.647	INTERNAL UPPER BIG PANEL
35	4240.629	EXTERNAL UPPER BIG PANEL
36	4240.646	INTERNAL CHIMNEY PANEL
37	4240.631	EXTERNAL CHIMNEY PANEL
38	4240.436	REGULATION CHIMNEY PANEL
39	4240.622	COMBUSTION CHAMBER
40	4517.786	TURBULIZATOR
41	4240.477	CHIMNEY CAP
42	4240.624	EXTERNAL CHAMBER PANEL
43	4260.621	INSULATION CHAMBER PANEL
44	4240.642	EXTERNAL BACK PANEL
45	4240.639	INTERNAL BACK PANEL
46	4240.505	LIFTING BRACKET
47	4240.191	CHASSIS CORNER
48	4240.605	SMALL HORIZONTAL PROFILE
49	4240.834	FRONT LEFT PROFILE
50	4240.832	FRONT RIGHT PROFILE
51	4240.838	LOWER LEFT PROFILE
52	4240.836	LOWER RIGHT PROFILE
53	4240.613	BACK LEFT PROFILE
54	4240.611	BACK RIGHT PROFILE
55	4240.615	UPPER LEFT PROFILE
56	4240.603	UPPER RIGHT PROFILE

MODEL BV 691S

UNIT 3

PARTS LIST

N°	CODE	DESCRIPTION
57	4240.645	INTERNAL MOTOR PANEL
58	4240.644	MOTOR-FAN
59	4100.656	NUT
60	4150.528	STRAIN RELIEF
61	4514.607	WIRE PROTECTION
62	4510.855	SENSOR CLIP
63	4240.438	SENSOR BRACKET
64	4240.625	CHAMBER SUPPORTING BEAM
65	4240.660	FOOT
66	4240.637	LOWER BIG PANEL
67	4240.635	LOWER SMALL PANEL
68	4514.845	WHEEL CLIP
69	5269.401	WHEEL
70	4240.773	AXLE BRACKET
71	4514.183	WHEELS AXLE
72	4240.407	BURNER WIRE
73	4160.651	STRAIN RELIEF
74	4160.648	MOBILE COVER
75	4161.401	MALE PLUG
76	4161.400	FEMALE SOCKET
77	4160.647	90° COVER
78	4162.970	THERMOSTAT CAP
79	4240.577	FUSE HOLDER
80	4117.057	FUSE
81	4240.413	LATERAL LABEL
82	4033.905	LIMIT THERMOSTAT CAP
83	4033.906	LIMIT THERMOSTAT NUT
84	4240.290	LIMIT THERMOSTAT
85	4100.656	NUT
86	4150.528	STRAIN RELIEF
87	4260.288	CAP
88	4240.405	METAL BOX
89	4240.406	TEMPERATURE SENSOR
90	4240.409	COMPONENTS BRACKET
91	4240.414	SWITCH
92	4240.599	BYPASS SWITCH
93	4117.058	LED
94	4510.414	TERMINAL BOX
95	4117.669	MOBILE TERMINAL BOX
96	4240.138	CONTACTOR
97	4240.041	THERMAL RELAY
98	4240.541	HOUR COUNTER GASKET
99	4240.540	ELECTRONIC CONTROLLER GASKET
100	4240.663	ELECTRONIC CONTROLLER
101	4240.416	HOUR COUNTER
102	4240.412	FRONT LABEL
103	4240.538	POWER CORD
104	4240.998	NTC THERMISTOR
105	4240.999	ELECTRONIC DISCONNECTOR