

DH 44 / DH 62

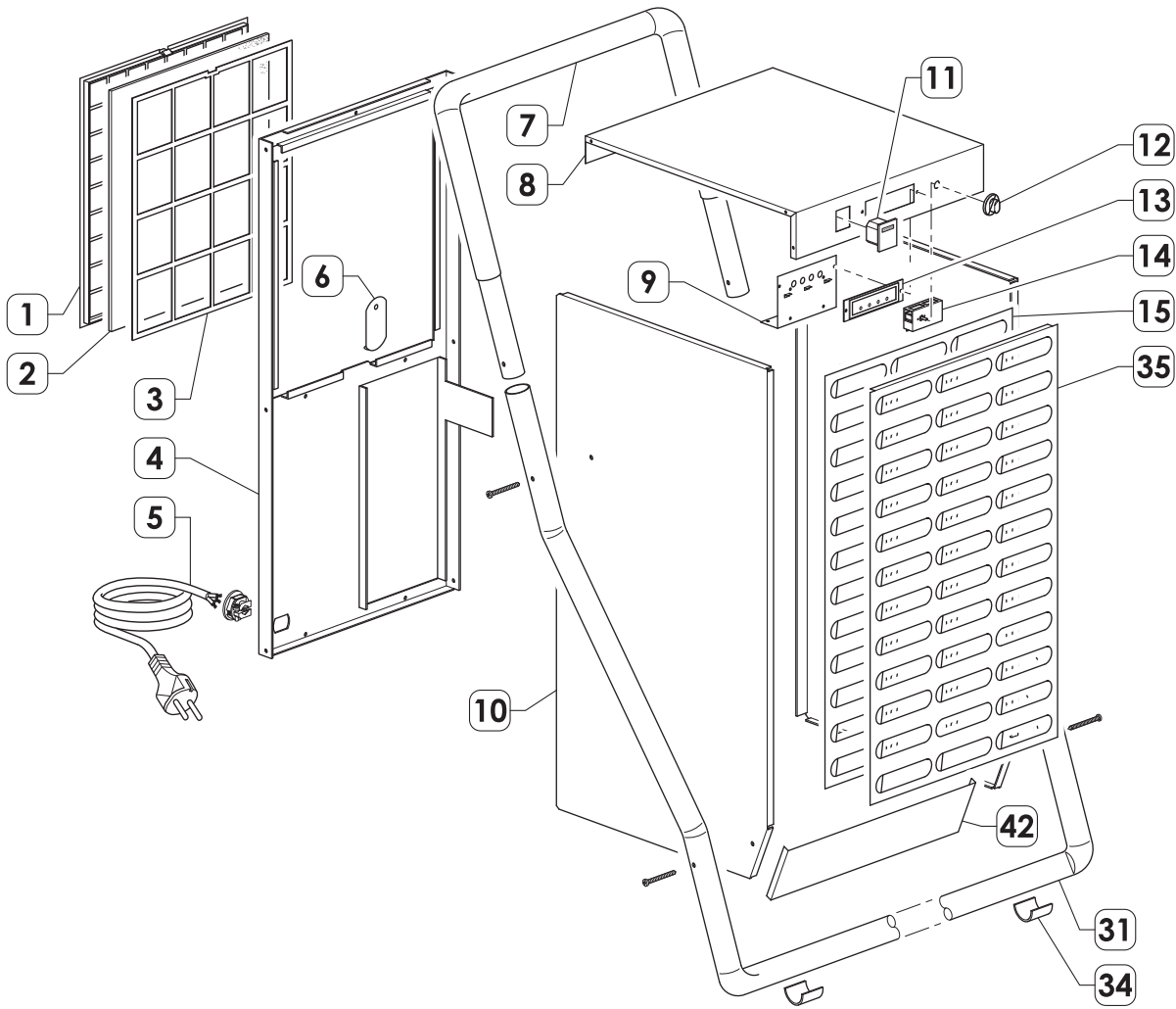


Fig. 1

Pos DH44	Pos DH62	Code	Description	Pos DH44	Pos DH62	Code	Description
1	1	4140.260	Filter Holder	24	-	4140.254	Refrigerant Filter With Capillary
2	2	4140.259	Air Filter	-	24	4140.267	Refrigerant Filter With Capillary
3	3	S/R	Air Filter Frame	25	25	4140.251	Fan Bracket
4	4	S/R	Back Panel	27	27	4140.255	Tank
5	5	4140.226	Power Cord	29	29	4140.219	Wheel
6	6	S/R	Lock Block	30	-	4140.252	Compressor
7	7	4140.262	Handle	-	30	4140.265	Compressor
8	8	S/R	Top Cover	30_1	-	4140.253	Compressor Starting Group
9	9	4140.206	Support Pcb	-	30_1	4140.266	Compressor Starting Group
10	10	S/R	Side Panel	31	31	S/R	Pipe Handle
11	11	4140.158	Hours Counter	32	32	4140.258	Microswitch
12	12	4140.204	Dehumidostat Knob	33	33	4140.256	Spring
13	13	4140.205	Control Panel With Cap	34	34	4140.234	Foot
14	14	4140.245	Dehumidostat	35	35	S/R	Outside Grille
15	15	S/R	Inside Grille	36	36	S/R	Wheel Axle
16	16	4140.247	Top Tray	37	37	4140.263	Inox Tank Support
17	17	4140.246	Evaporator	38	38	S/R	Evaporator Support
18	-	4140.248	Condenser	39	39	S/R	Upper Base
-	18	4140.264	Condenser	40	40	S/R	Vertical Panel
19	19	4140.201	PC Board	41	41	S/R	Lower Base
20	20	4140.249	Fan Blade	42	42	S/R	Lower Front Panel
21	21	4140.250	Motor	not shown	not shown	4140.257	Inside Cabling
22	22	4140.202	Lower Condensate Tray				

DH 44 / DH 62

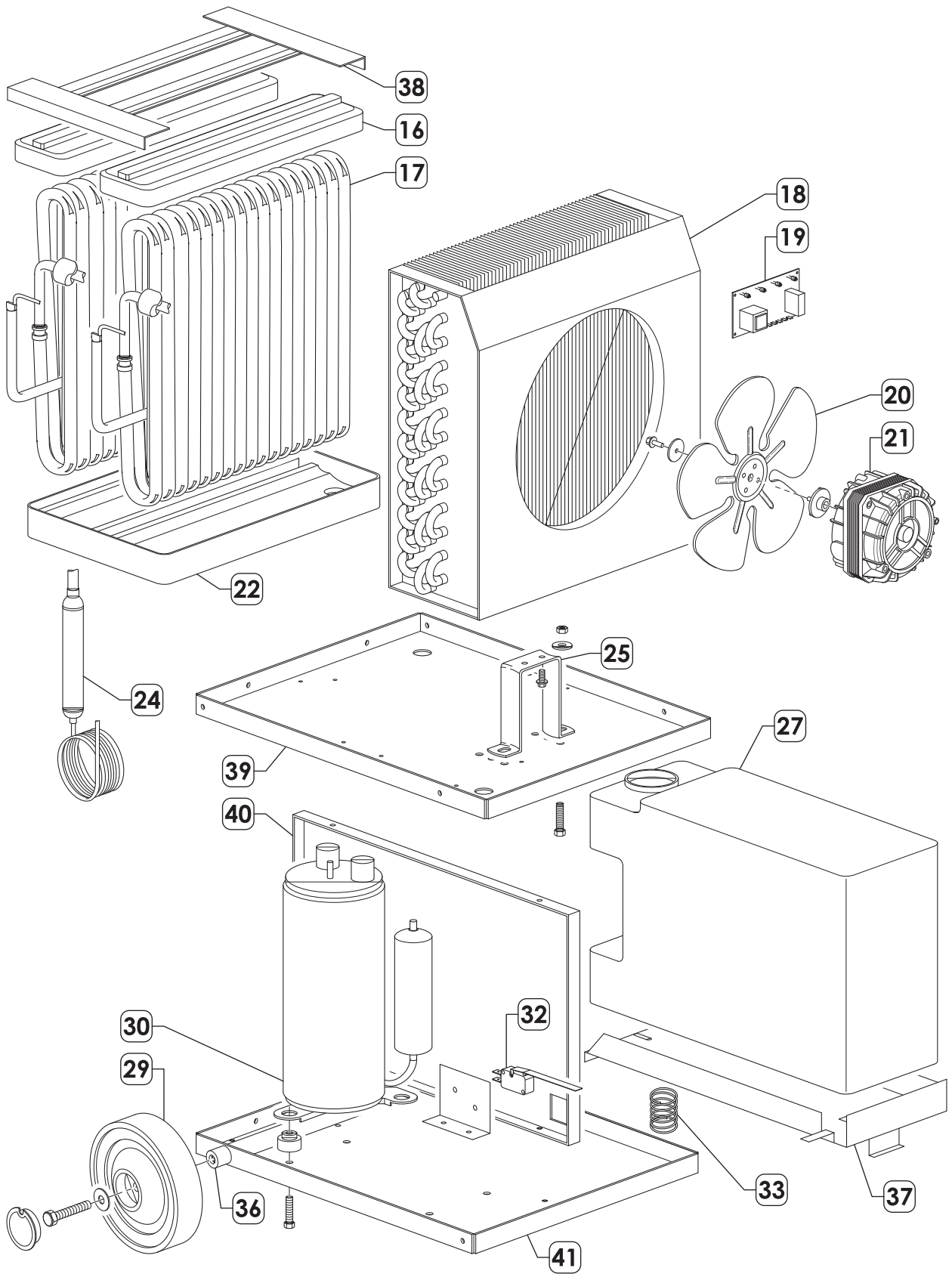


Fig. 2