

# Pump & Tank Alternative Instruction Manual

## Dehumidifier DHP55

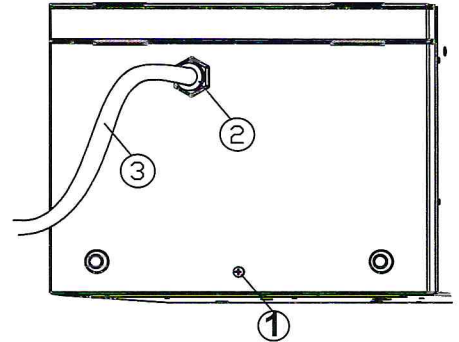
### WARNING:

UNPLUG BEFORE SERVICING

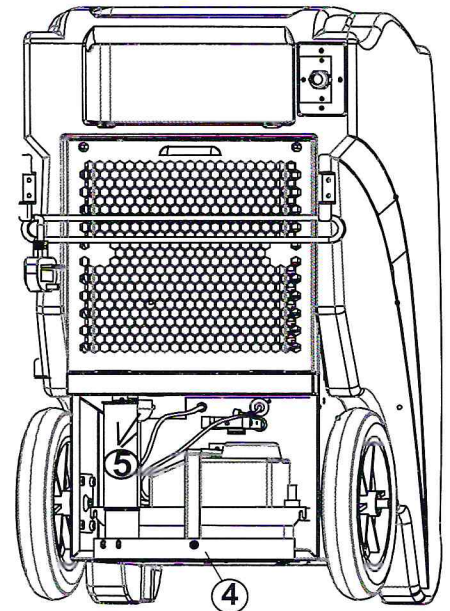
### WARNING:

Surfaces may be hot. Make sure the unit cool down before servicing.

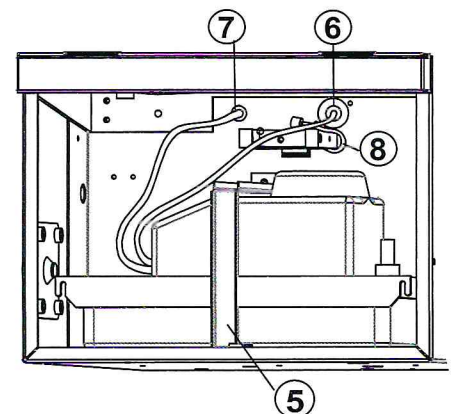
Step 1: Remove the screw (Pos 1) on the bottom of door.  
Remove connector (Pos 2 ) and hose (Pos 3).



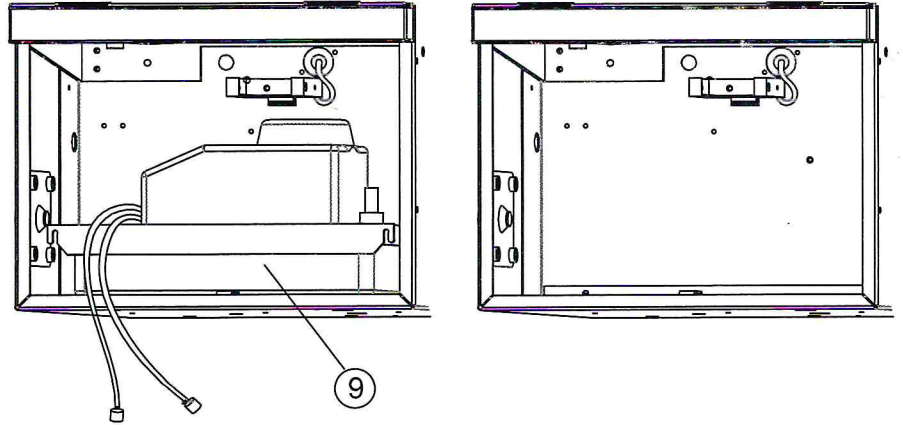
Step 2: Remove the bracket base (Pos 4) and take out drain kits.  
(Pos 5, Bracket, Drain base and hose)



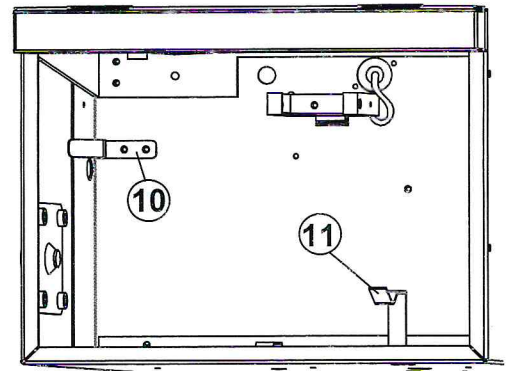
Step 3: Remove pump clamp (Pos 5), disconnect three core wires (Pos 6) and five cores wire (Pos 7) from unit.  
Connect the three cores (Pos 8) wire of infrared water-full switch to the unit



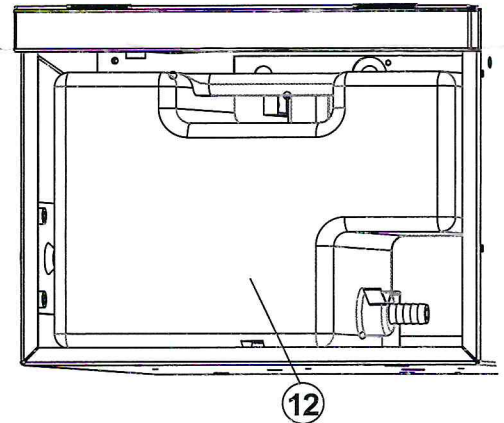
Step 4: Take out the pump (Pos 9) from unit.



Step 5: Fix tank clamp (Pos 10) and tank press clamp (Pos 11) to the unit.



Step 6: Put the tank (Pos 12) into the unit.



Step 7: Close the tank cover.

